

ADJUSTABLE VERTICAL CLOSET CARRIER - 1,000-LB. LOAD

» 837 SERIES

SPECIFICATION

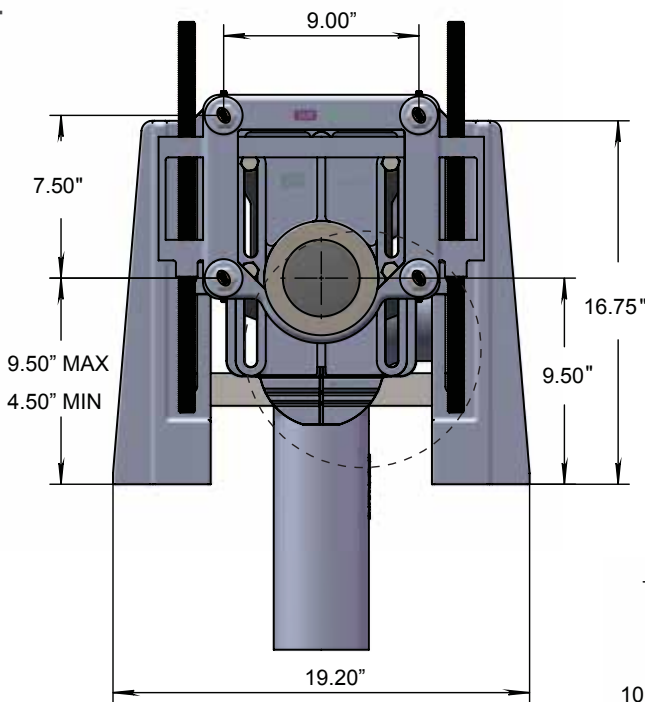
Sioux Chief 837 Series adjustable, vertical water closet carrier with 4" No-Hub connections and optional side inlets, rated for 1,000 lb. maximum static load. Includes coated cast iron right-hand or left-hand main fitting with 2" vent, adjustable faceplate with o-ring, floor mounted supports, adjustable ABS coupling with integral test cap, fixture bolts, trim, stud protectors, rear anchor and neoprene fixture gasket.

Designed in accordance with ASME A112.6.1M

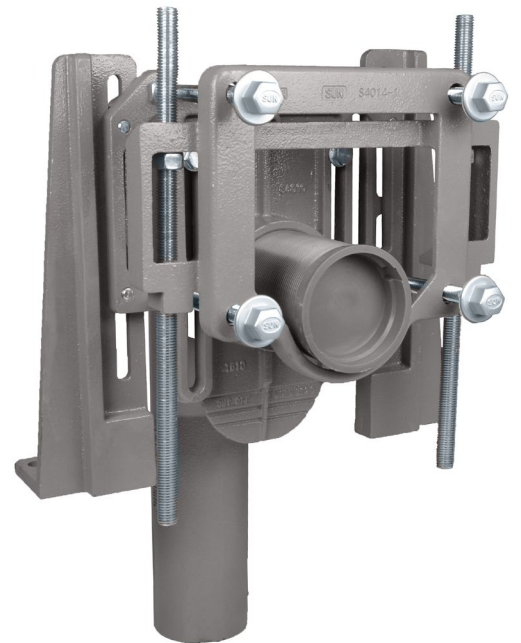
Used with wall-mounted closet fixtures having no contact with the finished floor. The closet carrier is concealed within the wall and supports the load of the fixture through a faceplate mounted to floor-anchored supports.

WEIGHT

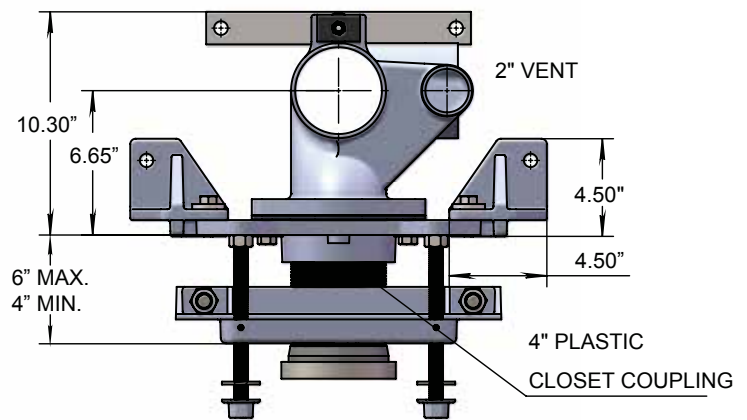
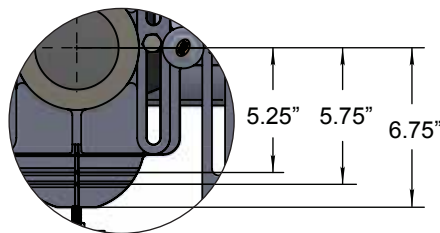
120 lbs.



ITEM # SUBMITTED	_____
JOB NAME	_____
LOCATION	_____
ENGINEER	_____
CONTRACTOR	_____
PO#	_____ TAG _____



BREAKAWAY TABS



Create Item Number

837-A

e.g. **837-VB1R**: Adjustable vertical 1,000-lb. water closet carrier with right-side inlet fitting

SIDE INLET A

VB10 = No side inlets

VB12 = Two side inlets

VB1L = Left (single) side inlet

VB1R = Right (single) side inlet

OPTIONS B

T = 12" ABS threaded coupling

(6" threaded coupling is standard)

Accessories - Available Separately:

- 521-725: Copper-plated Carrier bracket with 1" CTS hole
- 521-728: Copper-plated Carrier bracket with 1" CTS notch
- 521-729: Copper-plated Carrier bracket with double 1" CTS holes
- 521-723BB: Copper-plated chase bracket
- 608-L4612: 1" M.SWT Copper stub out elbow (6" x 12")
- 624-L08: 1" M.SWT Copper stub out (8" long)
- 624-L12: 1" M.SWT Copper stub out (12" long)