

FINISH TILING FRAME

»» 837 SERIES

SPECIFICATION

Sioux Chief 837-TF finish tiling frame shall be used where necessary with water closet carriers to provide a finished/level edge for wall tile being set behind a wall-mounted water closet. Frame shall mount over (4) carrier studs and be molded from ABS material for durability and corrosion resistance.

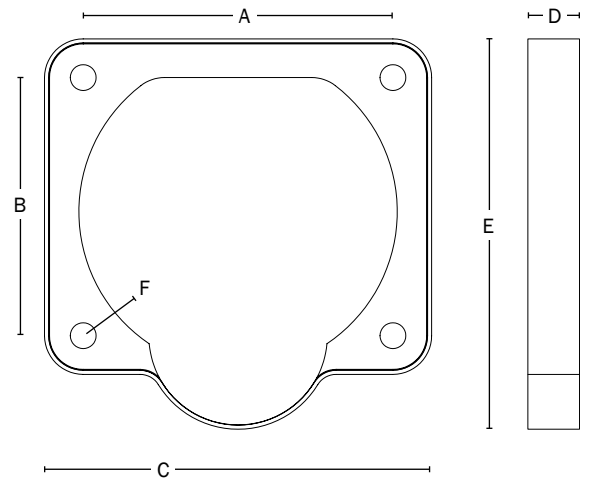
MATERIALS

ABS

DIMENSIONS

A: Hole centers - Horiz.	9.0"
B: Hole centers - Vert.	7.5"
C: Overall width	11.25"
D: Thickness	1.5"
E: Overall height	11.25"
F: Hole diameter	0.75"

ITEM # SUBMITTED	_____
JOB NAME	_____
LOCATION	_____
ENGINEER	_____
CONTRACTOR	_____
PO#	_____ TAG _____



Item Number

837-TF

Finish tiling frame for water closet carrier