

ADJUSTABLE ON-GRADE FLOOR DRAIN

» 832 SERIES

FinishLine™

SPECIFICATION

Sioux Chief 832 series FinishLine™ adjustable floor drain shall be used where necessary in drainage systems. Floor drain shall allow adjustment before and AFTER the concrete pour. Strainer shall meet applicable load requirements for intended use. Trap primer port shall be threaded 1/2" FIP for optional connection. Designed in accordance with ASME A112.6.3-2001.

MATERIALS

Ring/strainer: Nickel-bronze, stainless steel, ductile iron

Coring Plug: High-impact polymer

Head Adapter/Coring Sleeve/Base Adapter: Ductile iron

STRAINER LOAD RATING

Nickel-bronze: 1,000 lbs. (Light duty, heel-proof)

Stainless Steel: 1,000 lbs. (Light duty, heel-proof)

Reinforced Stainless Steel (M): 3,000 lbs. (Medium duty, heel-proof)

Ductile Iron: 6,000 lbs. (Heavy duty)

STRAINER FREE AREA

Round Nickel-bronze/stainless steel: 13.4 in²

Square Nickel-bronze/stainless steel: 16.4 in²

Ductile Iron: 13.25 in²

DIMENSIONS

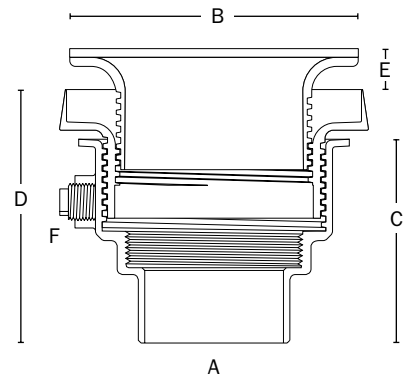
A: Connection	3", 4"
B: Ring/strainer diameter	
Round	6 1/2"
Square	7"
C: Base adapter height*	4 1/2"
D: Pre-pour height*	5 3/8" – 6 5/8"
E: After-pour height	
Round	0" – 1 1/4"
Square	5/16" – 1 1/4"
F: Trap primer port	1/2" FIP thread, plugged

* Push-Joint connection add 3/8" to height

ITEM # SUBMITTED	_____
JOB NAME	_____
LOCATION	_____
ENGINEER	_____
CONTRACTOR	_____
PO#	_____ TAG _____



832-4DNR



Create Item Number

832-ABC

e.g. **832-3DNRV:** FinishLine™ floor drain with 3" No-Hub connection and vandal-resistant, nickel-bronze strainer

CONNECTION A

- 3D** = 3" No-Hub
- 63D** = 3" Push-Joint
- 4D** = 4 No-Hub
- 64D** = 4" Push-Joint

RING/COVER B

- NR** = Round nickel-bronze
- NQ** = Square nickel-bronze
- SR** = Round stainless steel
- SQ** = Square stainless steel
- iR** = Round ductile iron

INSTALLED OPTIONS C

- V** = Vandal-resistant strainer screws
- B** = Complies with Buy American Act¹
- E** = 1 1/4" extended strainer rim¹
- H** = Hinged strainer (750 lbs. safe load)²
- M** = Reinforced stainless steel strainer³
- P** = Push-Joint gasket for ABS/PVC pipe⁴

- 1 Available for round nickel-bronze strainers only
- 2 Not available for ductile iron strainers
- 3 Available for round stainless steel strainers only
- 4 In place of standard gasket for Push-Joint drains

ACCESSORIES (ordered separately)

- 832-S4** = Leveling shim kit
- 832-EX4** = Ductile extension adapter
- 832-W** = Flexible locating bristle kit
- 832-UM** = Stainless mesh debris basket
- 863-FN** = Round nickel-bronze condensate funnel
- 863-FA** = Round aluminum condensate funnel
- 863-FNO** = Oval nickel-bronze condensate funnel