

LINEAR SHOWER DRAIN

» 823 SERIES

SPECIFICATION

Sioux Chief 823 Series linear shower pan drains shall be used where necessary in drainage systems. Drain body shall be beveled, with mounting holes for sub floor installation. Invertible clamping collar shall fasten to drain body with four screws into brass inserts. Drain body shall have a 2" Sch. 40 hub connection and connect to DWV pipe via solvent weld joint. Linear drain head and strainer shall be stainless steel and height adjustable using threaded adapter. Drain shall include DoubleDuty™ test plug. Designed in accordance with ASME A112.18.2-2005 / CSA B125.2-05.

MATERIALS

Head/strainer: 304 stainless steel (brushed finish)

Adjustment adapter: ABS

Clamping collar: Glass-filled polypropylene

Drain body: ABS, PVC

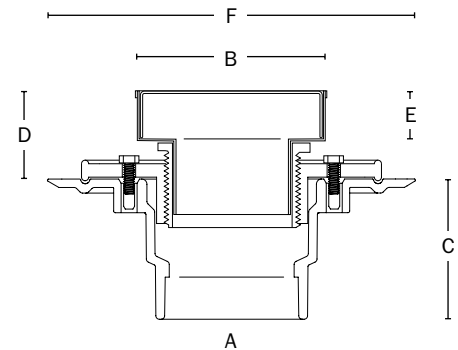
DIMENSIONS

- A:** Connection 2" Sch. 40 hub
- B:** Head width 3³/₈"
- C:** Body height 2¹/₂"
- D:** Adjustable height 1¹/₂" – 3"
- E:** Head depth 7/₈"
- F:** Flange diameter 6⁵/₈"
- G:** Head length 26", 30", 36", 40", 48", 60"

ITEM # SUBMITTED	_____
JOB NAME	_____
LOCATION	_____
ENGINEER	_____
CONTRACTOR	_____
PO#	_____ TAG _____



823-TX36WP



Create Item Number


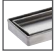
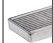
823-ABC

e.g. 823-TX36WP: 36" linear shower pan drain with PVC drain body and wedge-wire strainer

HEAD LENGTH **A**

- 49D** = 4" No-Hub
- TX26** = 26" head
- TX30** = 30" head
- TX36** = 36" head
- TX40** = 40" head
- TX48** = 48" head
- TX60** = 60" head

STRAINER PATTERN **B**

- S** = Square hole 
- T** = Tile-in 
- W** = Wedge-wire 

CONNECTION **C**

- A** = ABS body/connection
- P** = PVC body/connection