

ADJUSTABLE CLEANOUT WITH DECK FLANGE

» 822 SERIES

FinishLine Halo™

SPECIFICATION

Sioux Chief 822 series adjustable floor cleanout shall be used where necessary in drainage systems. Cleanout shall have an 18 gauge stainless steel deck/mounting flange and an enamel-coated ductile iron body with no-hub connection. Cleanout shall allow adjustment of 1" after the concrete pour. Scoriated cleanout cover shall meet applicable load requirements for intended use. Cleanout body shall include a sealing plug with raised square head to prevent escape of sewer gas. Designed in accordance with ASME A112.36.2M.

MATERIALS

- Ring/cover:** nickel-bronze, 301 stainless steel
- Head adapter:** ductile iron
- Coring plug:** high-impact polymer
- Coring sleeve:** ductile iron
- Deck flange:** 18-gauge 430 stainless
- Sealing plug:** elastomer gasket, polypro drive screw
- Base adapter:** ductile iron

COVER LOAD RATING

- Nickel-bronze:** 2,000 lbs. (light duty, pedestrian traffic)
- Stainless steel:** 2,500 lbs. (medium duty, pedestrian traffic)

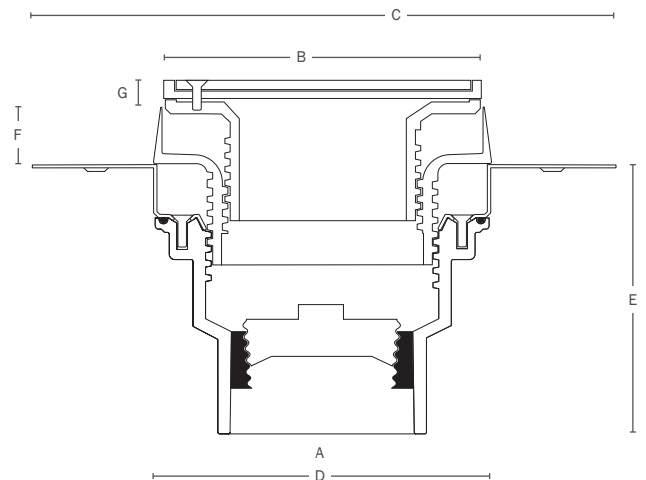
DIMENSIONS

- A: Connection size 3" No-hub
- B: Ring/cover diameter round / square 5½" / 5⅞"
- C: Flange diameter 9½"
- D: Body diameter 5⅞"
- E: Body height 4⅜"
- F: Sleeve height 1"
- G: Adjustable finish height round / square 0" - 1" / ⅝" - 1"

ITEM # SUBMITTED	_____
JOB NAME	_____
LOCATION	_____
ENGINEER	_____
CONTRACTOR	_____
PO#	_____ TAG _____



822-CF3DNQ



Create Item Number

822-A B

e.g. **822-CF3DNRV**: Adjustable no-hub cleanout with deck flange and round nickel-bronze cover with vandal-resistant screws

A: COVER TYPE

- CF3DNR** = Round nickel-bronze
- CF3DSR** = Round stainless steel
- CF3DNQ** = Square nickel-bronze
- CF3DSQ** = Square stainless steel

B: OPTIONS

- V** = Vandal-resistant cover screws
- S** = Stamping (specify letters)
- C** = Carpet marker

ACCESSORIES

- 832-S3** Leveling shim kit
- 832-W** Flexible locating bristles kit
- 832-EX3** Threaded extension adapter. Fits between head and sleeve. Extends head 2" (min) to 3¾" (max) above sleeve rim
- 822-EX3** Threaded extension adapter. Fits between sleeve and body. Extends sleeve 2" (min) to 3⅝" (max) above deck flange