

THREADED EXTENSION ADAPTER

» 822 SERIES

Halo™

ITEM # SUBMITTED	_____
JOB NAME	_____
LOCATION	_____
ENGINEER	_____
CONTRACTOR	_____
PO#	_____ TAG _____

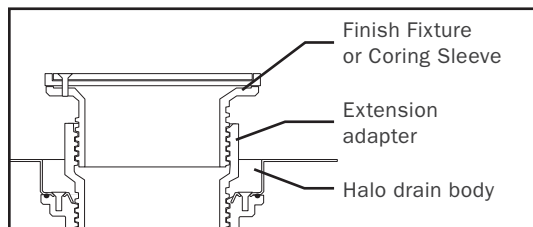
SPECIFICATION

Sioux Chief 822 Series threaded extension adapter shall be used where necessary in drainage systems. Adapter shall be enamel-coated ductile iron and designed to install between the drain body and Finish Fixture or Coring Sleeve of Halo drains and cleanouts. Adapter shall be stacked when necessary for additional height. Adapters can be used with Halo items having either iron or polymer components.

MATERIALS

Enamel-coated ductile iron

INSTALLATION



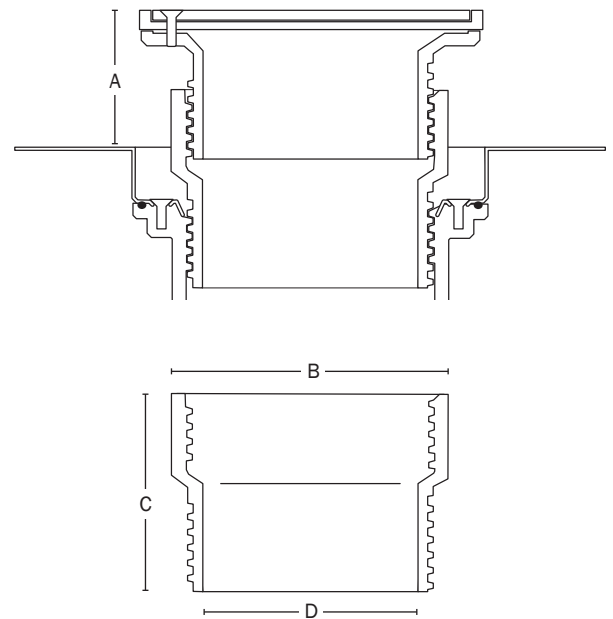
Install adapter into female threads of Halo drain body. Install Finish Fixture into female threads of adapter. Adjust to proper height. Apply silicone adhesive to threads if desired.

DIMENSIONS

- A:** Adjustment 1¾" min – 3⅛" max
- B:** Outer diameter 4⅜"
- C:** Height 2⅞"
- D:** Inner diameter 3½"



822-EX3



Item Number

822-EX3