

# ADJUSTABLE SLAB SHOWER DRAIN

## » 820 SERIES

### SPECIFICATION

Sioux Chief 820 series adjustable slab shower drain shall be used where necessary in drainage systems. Strainer shall meet all load and flow requirements for installations in shower areas. Base adapter shall have a 2" Sch. 40 hub connection and connect to DWV pipe via solvent weld joint. Base adapter is designed to fit inside most 3" Sch. 40 PVC pipe. Designed for use in on-grade (only) tiled shower floors where a shower pan liner is not required.

Note: Not for use in above grade applications or where shower pan liner is installed

### MATERIALS

**Strainer:** 430 Series stamped stainless steel

**Head Adapter:** Gray ABS

**Base Adapter:** Gray PVC

### STRAINER LOAD RATING

300 lbs. (19 gauge)

### STRAINER FREE AREA

3.25 in<sup>2</sup>

### STRAINER FLOW CAPACITY

6.0 GPM

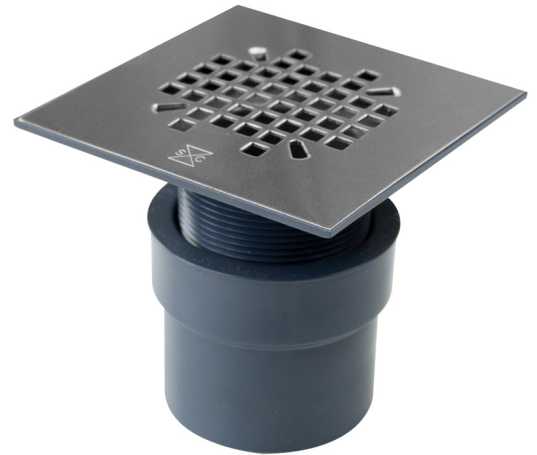
Observed flow rate under test conditions at 0.375" head.

### DIMENSIONS

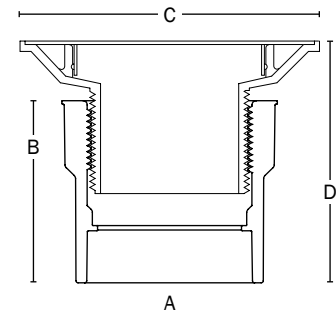
<b>A:</b> Connection	2" Sch. 40 Hub*
<b>B:</b> Base Height	2-5/8"
<b>C:</b> Top Diameter	4-3/8"
<b>D:</b> Overall Height	3-1/4" - 4-3/8"

\* Fits inside 3" Sch. 40 PVC

ITEM # SUBMITTED	_____
JOB NAME	_____
LOCATION	_____
ENGINEER	_____
CONTRACTOR	_____
PO#	_____ TAG _____



820-270PQ



Create Item Number

## 820-AB

e.g. **820-27PQ:** Adjustable slab shower pan drain with square, snap-in strainer

### TEST PLUG **A**

No test plug (standard)

**T** = DoubleDuty™ test plug included

### STRAINER TYPE **B**

**2P** = Round, Screw-On stainless steel strainer

**27P** = Round, Snap-In stainless steel strainer

**27PQ** = Square, Snap-In stainless steel strainer