

BACKUP FLOAT VALVE

» 803 SERIES

SPECIFICATION

Sioux Chief 803 series backup float valve shall be used where necessary in drainage systems. Backup valve shall install into vertically oriented drainage pipe and allow water to drain through freely under normal operation. During back-up situations, float shall seal valve and prevent water backup through drain fixture.

MATERIALS

Top/bottom plate: polypropylene, nickel-bronze, 301 stainless steel, or ductile iron

Screws: stainless steel

Compression gasket: PVC or ABS

Float: polypropylene

Float wire: polypropylene

FLOAT CAPACITY*

2" pipe model: 1.22 GPM

3" pipe model: 3.73 GPM

4" pipe model: 5.52 GPM

DIMENSIONS

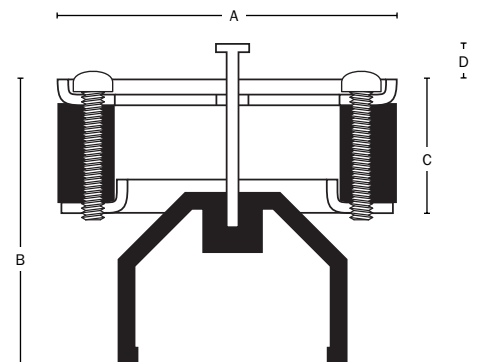
A: nominal pipe size	2", 3", or 4" drain pipe
B: overall height: fully open / fully closed	
2" pipe model	2.71" / 1.44"
3" pipe model	2.875" / 1.95"
4" pipe model	3.25" / 2.63"
C: body height	
2" pipe model	1.45"
3" pipe model	1.03"
4" pipe model	1.45"
D: wire height: fully closed	
2" pipe model	0.33"
3" pipe model	1.07"
4" pipe model	0.70"

*Indicates flow rate of the device (not necessarily of the fixture or pipe) at 1/4" head

ITEM # SUBMITTED	_____
JOB NAME	_____
LOCATION	_____
ENGINEER	_____
CONTRACTOR	_____
PO#	_____ TAG _____



803-3PK2



Create Item Number

803-A

e.g. **803-3PK2:** backup float valve for 3" nominal drain pipe

NOMINAL PIPE SIZE A

2PK2 = 2" drain pipe

3PK2 = 3" drain pipe

4PK2 = 4" drain pipe