

# INTEGRAL TRAP FLOOR DRAIN

800 series

Weld One™

Item # Submitted	_____
Job Name	_____
Location	_____
Engineer	_____
Contractor	_____
PO#	_____ TAG _____

## SPECIFICATION

Sioux Chief 800 Series Weld One integral trap floor drain shall be used where necessary in drainage systems. Drain shall have a 2" Sch. 40 hub connection which conforms to ASTM D2665 (PVC) or ASTM D2661 (ABS). Hub connection shall be designed with proper pitch to insure grate remains level after connection. Drain trap shall be properly sized, and smooth-sweep, to insure full flow and reduce sediment buildup. Drain shall employ a full 3" trap seal. Drain shall have a factory plugged cleanout access inside sump area. Strainer shall meet applicable load and flow requirements for intended use. Trap primer port shall be threaded 1/2" FIP for knockout connection.

## MATERIALS

*strainer:* polypropylene, nickel-bronze, 304 stainless steel, or ductile iron  
*strainer screws:* stainless steel  
*drain body:* PVC or ABS  
*cleanout plug:* polypropylene

## CONNECTION TYPE

2" Schedule 40 hub solvent weld  
 ASTM D2665 (PVC) ASTM D2661 (ABS)

## STRAINER LOAD RATING

*polypropylene:* 350 lbs (light-duty, heel-proof)  
*nickel-bronze:* 1,000 lbs (light-duty, heel-proof)  
*stainless steel:* 2,000 lbs (light-duty, heel-proof)  
*ductile iron:* 5,000 lbs (heavy-duty)

## STRAINER FREE-AREA

*polypropylene:* 14.25 in<sup>2</sup>  
*round nickel/stainless:* 11.75 in<sup>2</sup>  
*square nickel/stainless:* 16.4 in<sup>2</sup>  
*ductile iron:* 13.25 in<sup>2</sup>

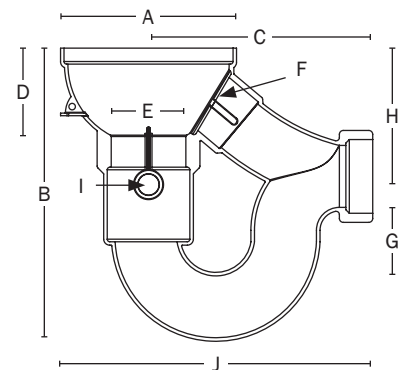
## DIMENSIONS

A: top diameter	6 1/2"
B: overall height <sup>1</sup>	11 1/2"
C: sump center to hub	8 5/8"
D: sump depth	3 1/8"
E: throat	2" FIP thread
F: cleanout (plugged)	1 1/2" FIP thread
G: trap seal	3"
H: top to hub center <sup>1</sup>	5"
I: trap primer port	1/2" FIP thread for knockout connection
J: overall width	12"

<sup>1</sup> Add 5/16" for metal strainers



800-P



Create Item Number

**800-ABC**

e.g. 800-PSRBW = Weld One floor drain with round 304 stainless steel ring/strainer and backwater device installed

- |   |   |   |
|---|---|---|
| <b>A</b> DRAIN MATERIAL                                 | <b>B</b> RING & STRAINER                            | <b>C</b> OPTIONS  |
| <input type="checkbox"/> P PVC (white polypro strainer) | (in lieu of poly strainer)                          | <input type="checkbox"/> BW float-ball backwater device installed |
| <input type="checkbox"/> A ABS (black polypro strainer) | <input type="checkbox"/> NR nickel-bronze, round    |   |
|   | <input type="checkbox"/> NQ nickel-bronze, square   |   |
|   | <input type="checkbox"/> SR stainless steel, round  |   |
|   | <input type="checkbox"/> SQ stainless steel, square |   |
|   | <input type="checkbox"/> iR ductile iron, round     |   |