

# THERMOSTATIC MIXING VALVE

## 696 SERIES

### SPECIFICATION

Sioux Chief 696 Series thermostatic mixing valve shall be used in plumbing systems to provide safe/tempered water temperatures at the lavatory or other fixture. Mixing valve shall allow control of both hot and cold incoming lines and deliver either a single, mixed/tempered line out, or both a mixed/tempered line and a cold (bypass) line out to the fixture. Unit shall include tamper-resistant, 1/4-turn shut-offs with key to allow isolation of mixing valve for replacement. Valve shall incorporate integral, replaceable check valves and stainless steel 60 mesh screens to protect from sediment/debris. Valve shall be mounted in a recessed access box with finish frame (available separately) for aesthetic appearance. Valve connections shall conform to appropriate standards including ASTM fitting end specifications. Listed to ASSE 1070, ASME A112.1070 and CSA B125.70

### MATERIALS

**Mixing Valve Body:** No Lead brass<sup>1</sup>, Stainless steel springs, EPDM o-rings, Stainless steel debris screens, Nylon test cap, No Lead brass<sup>1</sup> bypass cap  
**In-line Isolation Valves:** No Lead brass<sup>1</sup>, PTFE seats, EPDM gasket  
**Valve Connection Shank:** No Lead brass<sup>1</sup>/copper/PPSU/CPVC, 304 SS grip ring  
**Access Box/Mounting Base :** ABS

### FLOW RATE

Min: 0.25 GPM  
 Max: 4.0 GPM

### OPERATING PRESSURE

Min: 30 PSI | Max: 125 PSI  
 Max Test Pressure: 150 PSI

### INLET TEMPERATURE

Cold Inlet: 39°F - 85°F  
 Hot Inlet: 120°F - 180°F

### OPERATION

Valve maintains and limits hot water to a selectable temperature between 80°F and 120°F. Valve is factory preset to deliver a maximum 'mixed' water temperature of 105°F. The water temperature can be adjusted by the installer; however, a maximum temperature of 105°F is recommended.

- Higher temperatures may result in scalding, serious bodily harm and/or death.
- Carefully read and follow all instructions for installation and maintenance.
- Do Not use pipe dope on female swivel threads.

### DIMENSIONS

<b>A:</b> Frame <sup>2</sup> width	5-3/4"	<b>E:</b> Access box height	5-1/2"
<b>B:</b> Frame <sup>2</sup> height	7-1/4"	<b>F:</b> Supply connections	1/2" Nom. 2" O.C.
<b>C:</b> Access box width	4"	<b>G:</b> Outlet connections	3/8" compression
<b>D:</b> Access box depth	3-1/2"	<b>H:</b> Cold bypass conn.	3/8" compression

<sup>1</sup> Material is C69300 and C46500. Brass is dezincification and SCC resistant, and is compliant with NSF-61 Annex G and California No Lead Plumbing Law

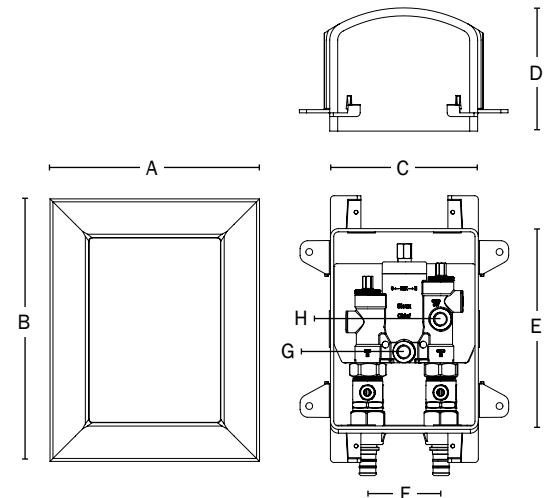
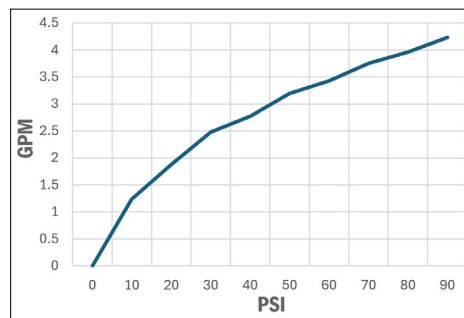
<sup>2</sup> Finish frame (696-1F) available separately

ITEM # SUBMITTED	_____
JOB NAME	_____
LOCATION	_____
ENGINEER	_____
CONTRACTOR	_____
PO#	_____ TAG _____



696-T2001XR

### FLOW CAPACITY



## Create Item Number

### 696-A

e.g. **696-T2001XR:** Thermostatic mixing valve with F1807 PEX connection and ABS mounting/access box

#### VALVE OUTLET CONNECTION A

<b>T2001CR</b> = 1/2" Male CPVC	<b>T2001PR</b> = 1/2" MSWT/Press/Push
<b>T2001WR</b> = 1/2" F1960 PEX	<b>T2001XR</b> = 1/2" F1807 PEX

#### Accessories - Available Separately:

- 696-BC: Box clip for stud mount
- 696-1F: Finish frame only
- 696-EX: Finish frame extension
- 525-6917: Mounting bracket (for mounting between studs)