

ELECTRONIC TRAP PRIMER

▶▶ 695-ES01

ETP™

SPECIFICATION

Sioux Chief ETP series electronic trap primers shall be used where replenishment of floor drain traps is required. Trap Primers shall be listed and certified to ASSE 1044 and equipped with solenoid actuating device, vacuum breaker and proper electrical hardware. ETP series trap primer's water release is factory-set for daily operation of 2 ounces of water. ETP series trap primers allow for various water distribution by adjusting the frequency and duration of the priming operation. Electronic trap primers are equipped with an ASSE 1010 water hammer arrester to protect the solenoid device. The ETP trap primer without access box can be used in conjunction with various trap priming accessories within the 695 series (distribution splitter and wye) to prime up to 8 drains.

MATERIALS

Arrester: Copper, EPDM oring, plastic piston, DOW 111 lubricant
 Distribution Vacuum Breaker: Brass
 Solenoid: Plastic housing, brass insides

ELECTRICAL

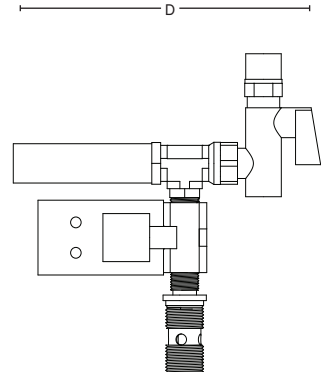
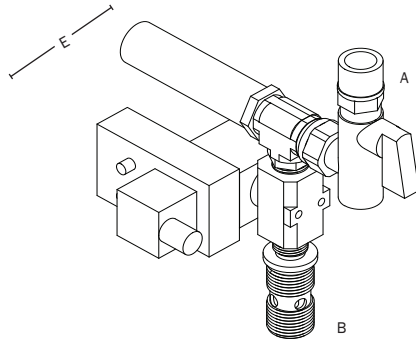
Connect unit to 120 VAC supply. Power consumption is 9.2 watts at 60 Hz.
 Maximum feet to electrical supply: 300 Ft.
 Minimum wire gauge: 18 gauge.

OPERATING TEMPERATURE/PRESSURE

35°F - 140°F / 20 psi - 60 psi

DIMENSIONS

A: Inlet Connection: 1/2" Male Iron Pipe
 B: Outlet Connection: 1/2" Male Iron Pipe
 (SURFACE MOUNT UNIT)
 C: Overall Height: 7.5"
 D: Overall Width: 7.25"
 E: Overall Depth: 3.5"



ITEM # SUBMITTED _____
JOB NAME _____
LOCATION _____
ENGINEER _____
CONTRACTOR _____
PO# _____ TAG _____



695-ES01



Item Number

695-ES01

e.g. 695-ES01= Surface mount unit electronic trap primer, single outlet
 Additional options available at www.siouxchief.com