

ROUGH-IN ASSEMBLY KIT FOR SHOWERS IN COPPER SWEAT SYSTEMS

» 693 SERIES

ShowerUp™

SPECIFICATION

Sioux Chief 693 series ShowerUp rough-in assembly kit shall be used where necessary in water supply systems. ShowerUp systems reduce labor and material investments, and turn variable, on-site costs into fixed costs. Preformed copper bends/elbows reduce noise and improve water flow characteristics in showers¹. All preformed copper components are engineered and made in the USA using precision manufacturing techniques. Preformed copper components reduce fitting joints to reduce potential leak points. Bend dimensions and fitting ends are made to applicable standards and are compliant with nationally recognized plumbing codes. All 'plain end' copper tube connections are Press-Fitting and Push-Fitting compatible.

MATERIALS

Copper Tube: Type-L copper tube - ASTM B88-03 / NSF-61

Copper Bends/Elbows: ASME/ANSI B16.22

Note: Copper material is naturally lead-free, dezincification resistant, and antimicrobial.

MIP/FIP, Drop-Ear Fittings: Brass²

Note: Do NOT use pipe dope on FIP swivel threads.

Brackets: Galvanized steel

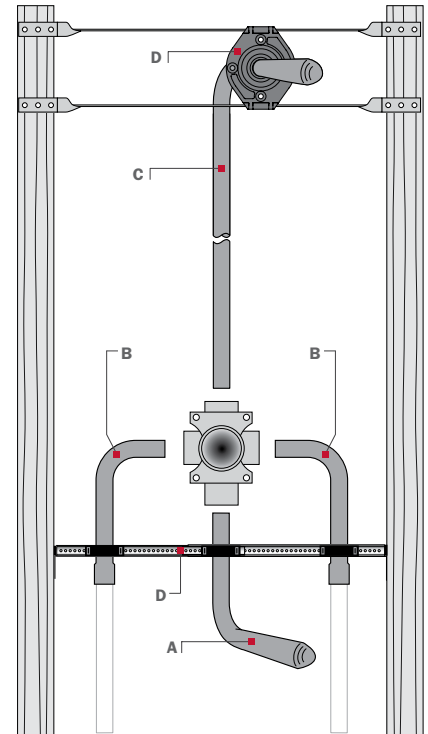
Bracket Inserts: Nylon, ABS

1 As compared to standard, soldered fitting elbows.

2 The wetted-surface lead content of each component is compliant with NSF-61 Annex G and California No Lead Plumbing Law

Note: Not all kits are stocked, but custom kits are available.
Kits are individually bagged, 12 kits per box. Minimum qty is 12 kits.

ITEM #	SUBMITTED	_____
JOB NAME	_____	_____
LOCATION	_____	_____
ENGINEER	_____	_____
CONTRACTOR	_____	_____
PO#	_____	TAG _____



Create Item Number

693-ABCD

e.g. 693-11213103: ShowerUp kit with tub spout elbow, supply connectors, drop-ear shower riser and brackets

TUB SPOUT ELBOW A

- 01 = None (shower only)
- 11 = 1/2" MSWT - 5" x 7"
- 12 = 1/2" MSWT - 6" x 7"
- 13 = 1/2" MSWT - 8" x 7"
- 14 = 1/2" MSWT - 13" x 7"
- 15 = 1/2" MSWT - 13" x 9"
- 16 = 1/2" MSWT - 10" x 7"
- 17 = 1/2" MSWT x 3" (shower only)
- 02 = 1/2" MIP Swivel - 5" x 7"
- 03 = 1/2" MIP Swivel - 6" x 7"
- 04 = 1/2" MIP Swivel - 8" x 7"
- 05 = 1/2" MIP Fixed - 5" x 7"
- 06 = 1/2" MIP Fixed - 6" x 7"
- 07 = 1/2" MIP Fixed - 8" x 7"
- 31 = 1/2" FIP Swivel - 5" x 7"
- 32 = 1/2" FIP Swivel - 6" x 7"
- 33 = 1/2" FIP Swivel - 8" x 7"

SUPPLY CONNECTORS B

- 26 = (2) 2-1/4" x 6" x 1/2" MSWT x MSWT
- 61 = (2) MiniRester - 1/2" MSWT branch x 1/2" FSWT
- 21 = (2) 2-1/4" x 6" x 1/2" MSWT x FSWT

SHOWER RISER C

- 31 = 1/2" MSWT x Drop-Ear - 30"
- 32 = 1/2" MSWT x Drop-Ear - 50"
- 51 = 1/2" MSWT x 8" Stub Out³ - 30"
- 53 = 1/2" MSWT x 8" Stub Out³ - 50"
- 54 = 1/2" MSWT x 8" Stub Out³ with Plate - 50"
- 41 = 1/2" MIP Swivel x Drop-Ear - 30"
- 42 = 1/2" MIP Swivel x Drop-Ear - 50"
- 43 = 1/2" FIP Swivel x Drop-Ear - 30"
- 44 = 1/2" FIP Swivel x Drop-Ear - 50"
- 21 = 1/2" FSWT Stub Out³ - 4" x 8"
- 22 = 1/2" FSWT Stub Out³ with Plate - 4" x 8"
- 23 = 1/2" FSWT x FIP - Drop-Ear (3-ear)

BRACKETS D

- 01 = (1) StrongArm with ShowerWallNut LockBlock and (1) PowerBar with 3 TouchDown clamps
- 02 = (1) PowerBar with 0 TouchDown clamps and (1) PowerBar with 2 TouchDown clamps
- 03 = (1) PowerBar with 0 TouchDown clamps and (1) PowerBar with 3 TouchDown clamps
- 04 = (1) StrongArm with ShowerWallNut LockBlock and (1) PowerBar with 2 TouchDown clamps

³ When a copper stub out elbow shower riser is used, Sioux Chief requires the use of the Shower WallNut system, including a StrongArm bracket with Shower WallNut LockBlock, and the Shower WallNut adapter.