

WATER HAMMER ARRESTER

»» 660-HB

MiniRester™

ITEM # SUBMITTED	<u>660-HB</u>
JOB NAME	_____
LOCATION	_____
ENGINEER	_____
CONTRACTOR	_____
PO#	_____ TAG _____

SPECIFICATION

Sioux Chief 660-HB piston-type water hammer arresters shall be installed where required on washing machine valves. Water hammer arresters shall be specifically sized and have sufficient volume of air to dissipate the calculated kinetic energy generated by closing residential washing machine valves. Arresters shall be installed on both hot and cold supply inlets of washing machine valves. Arresters shall be approved for installation with no access panel required.

MATERIALS

- Arrester body:** 304 stainless steel
- Piston:** polypropylene with two EPDM o-rings
- Tee body:** UNS C36000 machined brass

WORKING LIMITS

- Max working temperature:** 250°F
- Max working pressure:** 250 PSIG
- Burst tested:** to 1,500 PSIG

CONNECTION

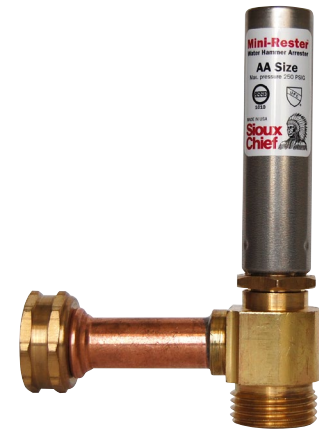
- Trunk:** 3/4" male hose thread
- Branch:** 3/4" female hose thread

CERTIFICATIONS/APPROVALS

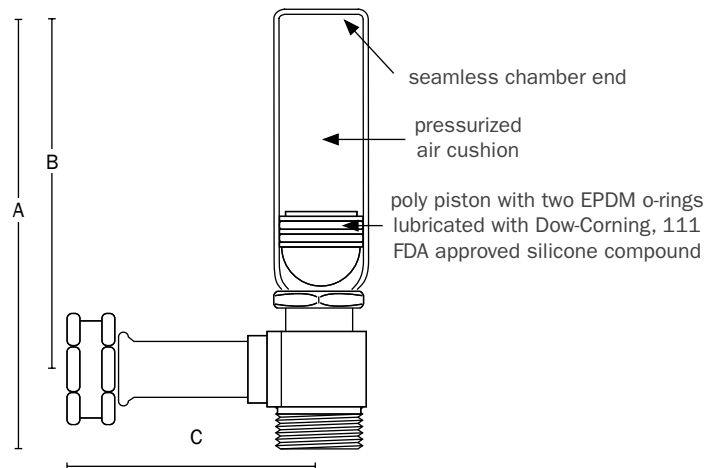
Certified by ASSE to the ANSI/ASSE 1010-2004 standard, AA size
cUPC listed to UPC and Canadian codes and standards

DIMENSIONS

- A: overall height 5"
- B: top to branch center 4"
- C: center to branch end 3"



660-HB



Item Number

660-HB