

PUSH-FIT COUPLING

▶▶ 645Q3-2 & 645Q2-3

PDQ™

SPECIFICATION

Sioux Chief PDQ push-fitting system shall be used where simple, quick, and safe plumbing connections are needed in repair/remodel or new construction applications. Push fittings connect CPVC, PEX, copper, or any CTS tube. Fittings shall be certified to ASSE 1061/NSF 61 and shall be listed to meet cUPC requirements. Fittings are generally provided with PPSU tube inserts for PEX tube installations.

MATERIALS

Body: copper
O-ring: EPDM
Grip ring: stainless steel
Release collar: POM
Protection/alignment bearing: POM
Tube insert: PPSU

INSTALLATION

Cut tube. Ream and deburr. Mark insertion depth. Insert tube using insert stiffener for PEX tube. Disconnect if necessary by snapping disconnect tool over tube and against fitting. Squeeze tool against fitting and pull apart using a twisting motion. **DO NOT SOLDER TO FITTING OR HEAT IN CLOSE PROXIMITY TO FITTING.** Use fittings to transition push fittings to another size.

WORKING PRESSURE

150 psi

MAX TEMPERATURE

140°F

CERTIFICATIONS

ASSE 1061/NSF 61
 cUPC

TESTING

100 PSI air, 150 PSI water

DIMENSIONS

	645Q2-3	645Q3-2
A: Overall max OD	1"	1 3/8"
B: Connection size 1	1/2" NOM	3/4" NOM
C: Connection size 2	3/4" NOM	1 1/2" NOM
D: Overall length	2 3/8"	2 3/4"

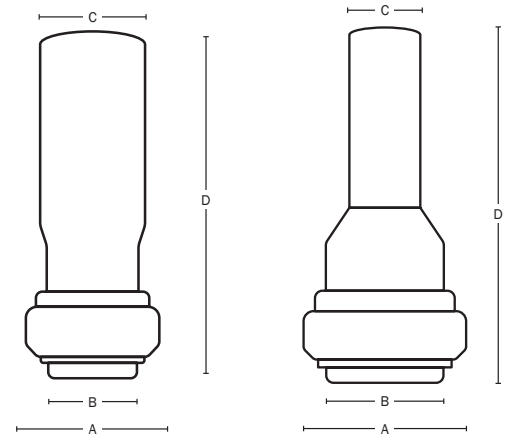
ITEM # SUBMITTED	_____
JOB NAME	_____
LOCATION	_____
ENGINEER	_____
CONTRACTOR	_____
PO#	_____ TAG _____



645Q2-3



645Q3-2



Item Number

645Q2-3
645Q3-2