

# TUB SHOWER ELBOW – SHOWER-LOCK

» 616 SERIES

PowerPEX™ ASTM F1807 Crimp

ITEM # SUBMITTED	<b>616X2PX</b>
JOB NAME	_____
LOCATION	_____
ENGINEER	_____
CONTRACTOR	_____
PO#	_____ TAG _____

## SPECIFICATION

Sioux Chief 616 series Shower-Lock products are to be used where necessary in non-potable applications in water supply systems. Shower-Lock adapters are generally 90-degree fittings with an external thread coupled with two locknuts.

## MATERIALS

**Body:** 377 brass

**Fitting:** L copper

**Locknuts:** 377 brass

## INSTALLATION

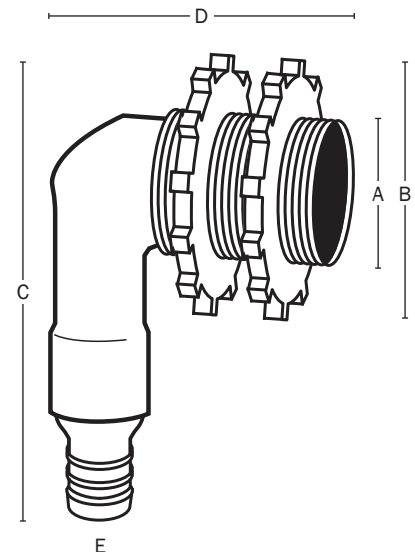
Compress the Shower-Lock lock nuts on either side of the tub/shower enclosure or wall board to lock the product in place. Each locknut shall be used on either side of the structure that the Shower-Lock is being secured to. Secure piping to Shower-Lock adapter. Check for leaks.

## DIMENSIONS

A: thread OD	1.105"
B: nut OD	2"
C: overall height	3.6"
D: overall depth	2.3"
E: connection	ASTM F1807



616X2PX



Item Number

**616X2PX**

**Description:** ½" F1807 PEX Crimp × ½" FIP Shower-Lock tub shower elbow