

# ACOUSTICAL CTS SUSPENSION CLAMP INSULATOR

» 557-Q SERIES

PipeDown™

## SPECIFICATION

Sioux Chief 557-Q series acoustical suspension clamp insulators shall be used to insulate or suspend CTS supply lines in residential or commercial applications where noise reduction is necessary. Tube clamp shall feature split design for use after piping is installed and also allowing for thermal expansion and contraction. Clamps shall be compatible with CTS copper, PEX or CPVC tube. Clamps shall be certified by UPC/IAPMO.

## INSTALLATION

Follow all national and local code hanger spacing requirements. Spread each side of the clamp to open and position clamp around the tube. Secure clamp to structure using both holes with approved hardware (not provided).

To use as tube insulator, drill hole size indicated below or use pre-cut holes in metal studs making sure to secure clamp to structure with two screws. A smaller hole diameter can be bored through stud or joist slightly larger than tube diameter then secured to building structure both mounting ears flush against stud/joist when attached.

## MATERIALS

**Outer (black) shell:** high impact polypropylene

**Isolator:** TPE, shore A 38

## SAFE WORKING LOAD

25-lbs when suspended from structure.

## SAFE WORKING TEMPERATURE

Maximum temperature: 140°F continuous  
Impact resistant to 0°F

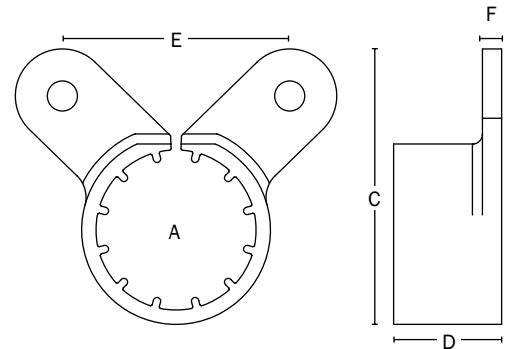
## DIMENSIONS

	557-2Q	557-3Q	557-4Q	557-5Q
<b>A:</b> Tube size CTS	½"	¾"	1"	1¼"
<b>B:</b> Hole size to drill	1½"	1½"	2"	2"
<b>C:</b> Height	2.019"	2.019"	2.639"	2.639"
<b>D:</b> Depth	0.825"	0.825"	1.025"	1.025"
<b>E:</b> Center-lines	1.421"	1.421"	1.827"	1.827"
<b>F:</b> Wall thickness	0.120"	0.120"	0.150"	0.150"

ITEM # SUBMITTED	_____
JOB NAME	_____
LOCATION	_____
ENGINEER	_____
CONTRACTOR	_____
PO#	_____ TAG _____



557-3Q



Made in USA

Create Item Number

## 557-AQ

e.g. 557-3Q: ¾" CTS PipeDown™ acoustical suspension insulator

### SIZE A

- 2 = ½" CTS
- 3 = ¾" CTS
- 4 = 1" CTS
- 5 = 1¼" CTS