

# UNIVERSAL PIPE CLAMP FOR STRUT

550 SERIES

TD+™

## SPECIFICATION

Sioux Chief 550 series TD+™ universal pipe clamp shall be used to secure any pipe or conduit from 1/2" CTS to 2" IPS on 1-5/8" metal strut. Clamp shall allow support of multiple lines as needed and provide variable clamping tension to allow for thermal expansion and contraction. Clamp shall be corrosion proof and be compatible with copper, PEX and CPVC. Noise-reduction inserts shall be available for applications having acoustical requirements. Bridges may be stacked for additional height from mounting surface or to separate multiple lines. Clamps shall be IAPMO listed.

## MATERIALS

**Standard Clamp:** Nylon 66 (UL94 V-2)

**Plenum-Rated Clamp:** Polyvinylidene fluoride (ASTM E84 25/50, UL94 V-0)

**Noise-Reduction Insert:** 38 Durometer TPE<sup>1</sup>

## INSTALLATION

If needed, install acoustical cushions before pipe (see below). Align clamp into top of strut channel and twist to lock clamp in place. Lay pipe in base of clamp and ratchet clamp's top bridge over pipe to secure. Additional bridges may be stacked as necessary to secure multiple lines.

Noise-reduction inserts (optional) may be installed to reduce noise transfer. To install noise-reduction inserts, remove adhesive backing and attach cushions to top of base and bottom of bridge. For multiple lines, install cushions to top of each bridge and stack as needed. Inserts do not alter temperature/load ratings.

Sioux Chief does not recommend inverted installations where the clamp base is mounted horizontally and the bridge is on the bottom of the pipe. Always follow local plumbing/building codes.

## TEMPERATURE / SAFE WORKING LOAD

### Standard Clamp

-10°F – 130°F: 150 lbs.  
131°F – 180°F: 105 lbs.  
181°F – 220°F: 70 lbs.

### Plenum-Rated Clamp

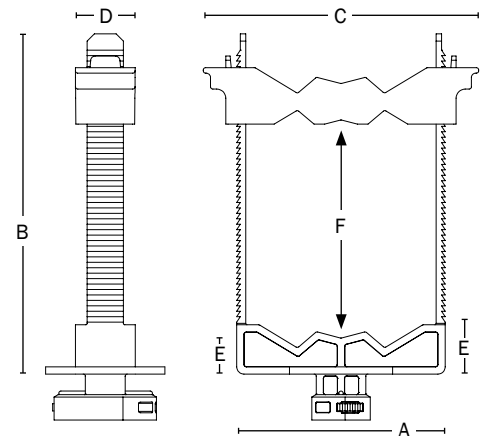
-10°F – 100°F: 70 lbs.  
101°F – 120°F: 55 lbs.  
121°F – 140°F: 45 lbs.

## DIMENSIONS

<b>A:</b> Clamp width	2.875"
<b>B:</b> Overall height	4.67"
<b>C:</b> Bridge width	3.80"
<b>D:</b> Overall depth	0.825"
<b>E:</b> Base offset - center	0.497"
Base offset - sides	0.37"
<b>F:</b> Clamp capacity	0.240" – 3.285"
(with inserts)	0.240" – 3.085"

<sup>1</sup> Inserts not for use with plenum-rated models

ITEM # SUBMITTED	_____
JOB NAME	_____
LOCATION	_____
ENGINEER	_____
CONTRACTOR	_____
PO#	_____ TAG _____



Create Item Number

**550A**

e.g. **550-2121:** Nylon (standard) TD+ universal pipe clamp for strut with 1 bridge

### CLAMP TYPE A

- 2121** = Nylon (standard) Universal strut clamp with 1 bridge
- 2111Q** = Nylon (standard) Universal strut clamp with 1 bridge, 2 NR inserts
- 2122** = Nylon (standard) Universal strut clamp with 2 bridges
- 2122Q** = Nylon (standard) Universal clamp with 2 bridges, 4 NR inserts, 2 screws
- F3121** = PVDF (plenum-rated) Universal strut clamp with 1 bridge

### Accessories - Available Separately:

- 550-210: Nylon (standard) bridge only
- 550-214QPK2: PipeDown noise-reduction insert (10/bag)
- 550-214QPK3: PipeDown noise-reduction insert (50/bag)