

ROOFTOP SUPPORT BLOCK

543 SERIES

TakeOff™

SPECIFICATION

Sioux Chief 543 series TakeOff rooftop support block shall be used where necessary to support gas/plumbing piping, condensate/refrigeration lines, ductwork/HVAC, conduit, cable, and lightweight mechanical equipment on flat or low-pitch roof surfaces. Support blocks shall be U.V. protected and designed for installation on any type of finished roofing surface to reduce penetrations in roofing membrane. Support block base shall allow for easy interlocking of multiple blocks as needed. Top surface of support block shall allow for installation of various pipe clamp or support accessories and incorporate internal geometry for improved screw/fastener engagement. Designed in accordance with IAPMO IGC 298-2013e1.

MATERIALS

High-density polyethylene - U.V. protected (includes recycled material)

LOAD RATING¹

Single-point Load (e.g. mounted directly to block): 200 lbs.

Multi-point Load (e.g. strut-mounted): 250 lbs.

Raised Load (e.g. supported by thread rod): 100 lbs.

WORKING TEMPERATURE

-50° F – 175° F

INSTALLATION NOTES

Install one block every 7 feet (min). Always install loads in the lowest and most centered position possible for stability. Loads up to 200 lbs. may be mounted directly to the block. For heavier loads, always fasten slotted strut to block and fasten load to strut (keep the load centered). On longer runs of piping, roller supports (543-21R) should be used. When driving screws directly into top/side surface of block, align with center (valley) groove and use #10 sheet-metal screws (recommended). When supporting pipe/tube with thread rod, use a washer and nut on top surface of block and nut on underside of block. Max height of thread rod above top surface of block is 7.0" Always follow local plumbing/building codes.

DIMENSIONS

A: Overall height	5"
B: Top surface	5.125" x 5.125"
C: Base depth	6"
D: Base width	7.50"
E: Top slots (on center)	4.31"
	(4) 0.19" x 0.61"
F: Top holes (on center)	4.125"
	(4) for 3/8" thread rod
G: Clamp engagement	for TD+™ Universal Clamp ²
H: Top detent	for top plate connector ³

1 Max load per block

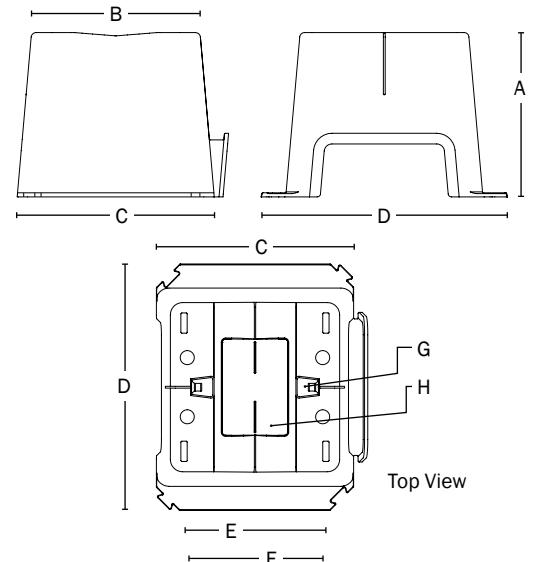
2 Item 550-2111 available separately - see below

3 Item 541-CB / 541-GB available separately - see below

ITEM # SUBMITTED	_____
JOB NAME	_____
LOCATION	_____
ENGINEER	_____
CONTRACTOR	_____
PO#	_____ TAG _____



543-21



Item Number

543-21

Accessories - Available Separately:

- 543-21R: Roof block roller support assembly
- 550-2111: TD+™ Universal pipe/tube clamp for 1/2" CTS – 2" IPS
- 541-CB: Copper-plated top plate connector for 3/8" thread rod
- 541-GB: Galvanized top plate connector for 3/8" thread rod
- 571: GridIron™ ABS spacer/support block

Other Clamps/Brackets for use with TakeOff Block - Available Separately:

- 516 Series: Split-ring hangers
- 570 Series: PipeTitan™ system
- 501/502 Series: Tube strap
- 523 Series: PowerBar™ Mini Strut system
- 517 Series: Strut clamps
- 524/528 Series: Hanger strap
- 523 Series: SaddleUp™ clamp