

# TOP PLATE CONNECTOR

## » 541 SERIES

### SPECIFICATION

Sioux Chief's 541 Top Plate Connector shall be used where necessary to suspend  $\frac{3}{8}$ " threaded rod for supporting CTS or IPS piping installations in accordance with national code requirements. Top Plate Connector shall be stamped using 13-gauge steel and designed to capture and incorporate use of a  $\frac{3}{8}$ -16 hex nut.

### INSTALLATION

Secure plate to structure using two approved fasteners (not provided). Cut  $\frac{3}{8}$ " threaded rod to desired length. Install a  $\frac{3}{8}$ " (not provided) nut onto threaded rod then tighten the  $\frac{3}{8}$ " nut to properly secure the rod to the plate. Once rod is secured, proceed to install clevis, loop, etc. hanger onto opposite end of rod.

### MATERIALS

**541-GB:** 13-ga. zinc-plated steel

**541-CB:** 13-ga. copper-plated steel

**Nut:**  $\frac{3}{8}$ -16 UNC hex nut

### MAXIMUM LOAD RATING

**Maximum Load:** 200 lbs.

### DIMENSIONS

A: length	2.75"
B: width	1.88"
C: mounting holes	.26" counter sink for flat head screw
D: center-line distance	2"
E: thread rod	$\frac{3}{8}$ "

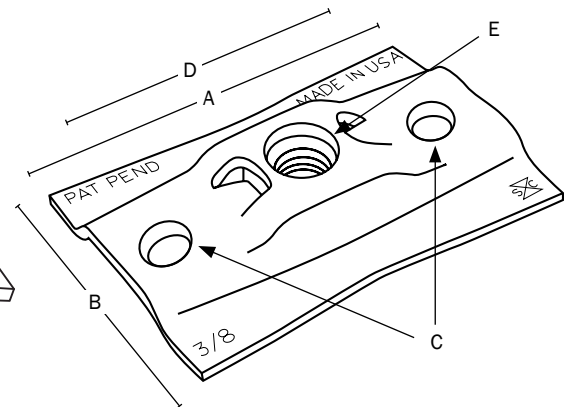
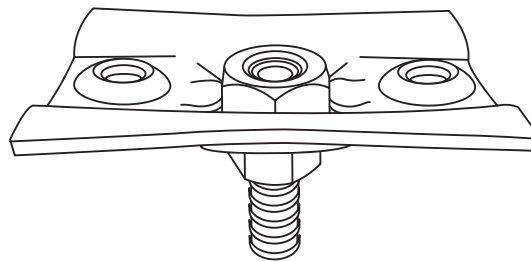
ITEM # SUBMITTED	_____
JOB NAME	_____
LOCATION	_____
ENGINEER	_____
CONTRACTOR	_____
PO#	_____ TAG _____



541-GB



541-CB



Made in USA

Create Item Number

### 541-AB

e.g. **541-CB:** domestic copper-plated Top Plate Connector

#### FINISH A

**C** = copper-plated

**G** = zinc-plated