

RIGID OFFSET PIPE CLAMP

» 525-3 SERIES

MainBlock™

SPECIFICATION

Sioux Chief 525-3 series MainBlock shall be used when necessary to rigidly secure CTS water main when penetrating a slab. Pipe clamp shall mount to the surface of a wood or metal stud. Clamp assembly shall include two block halves. One block half is sized specifically for ¾", 1" or 1¼" CTS that is fastened directly to a universal rear block. Approved hardware shall be included. Main Block shall be compatible with copper, CPVC, PVC, or PEX tube.

MATERIALS

Clamping Blocks: ABS

Screw to Attach Blocks Together: #6 × 1" coarse thread, zinc-plated

Mounting Screw: #6 × 1¾" panhead drill-tip, zinc-plated

SAFE WORKING LOAD

75 lbs.

SAFE WORKING TEMPERATURE

140°F

INSTALLATION

Secure rear block (Block A) with #6 × 1¾" panhead screws to stud. Position pipe in saddle and fasten front block (Block B) to rear block (Block A) with #6 × 1" coarse thread screws.

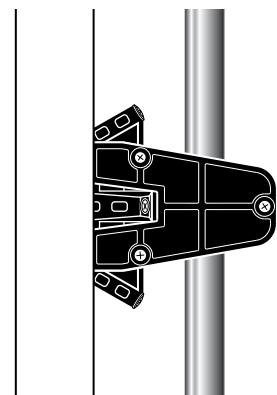
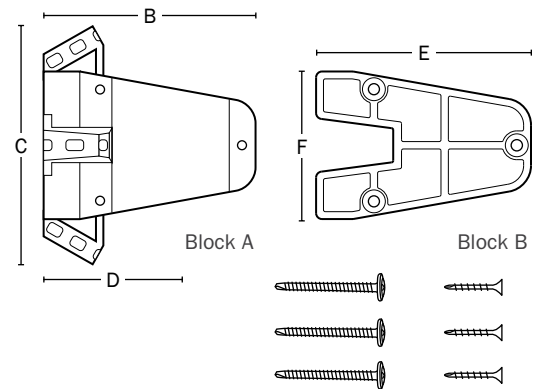
DIMENSIONS

| | 525-33 | 525-34 | 525-35 |
|------------------------------------|--------|--------|--------|
| A: Tube size | ¾" | 1" | 1¼" |
| B: Block A width | 3.614" | 3.614" | 3.614" |
| C: Block A height | 4.122" | 4.122" | 4.122" |
| D: Offset to center of pipe | 2.420" | 2.420" | 2.420" |
| E: Block B width | 3.641" | 3.641" | 3.150" |
| F: Block B height | 2.500" | 2.500" | 2.460" |

| | |
|------------------|-----------------|
| ITEM # SUBMITTED | _____ |
| JOB NAME | _____ |
| LOCATION | _____ |
| ENGINEER | _____ |
| CONTRACTOR | _____ |
| PO# | _____ TAG _____ |



525-34



Made in USA

Create Item Number

525-3A

e.g. 525-33: MainBlock for ¾" CTS

TUBE SIZE A

3 = ¾" CTS

4 = 1" CTS

5 = 1¼" CTS