

VENT LOOP ASSEMBLY KIT

» 523-VLK SERIES

PowerBar™

SPECIFICATION

Sioux Chief PowerBar™ 523-VLK series 3-piece bracket assembly kit shall be used where necessary to support pipe or stub outs in residential and commercial applications. Bracket assembly shall adjust telescopically and include Sioux Chief's DWV ComboSaddle™ clamps and TouchDown™ adjustable ratcheting clamps with elastomer inserts. Vent loop kits are designed to be used to secure piping when vertical studs are not present. Pilot holes measuring .10" shall be provided on three sides of the bracket. Bracket shall be manufactured with pre-galvanized steel to resist rust. Bracket assembly shall be IAPMO certified.

INSTALLATION

Adjust bracket telescopically to fit the width of the vent loop. Attach bracket to saddle clamps with screws (provided). Use all-purpose solvent cement and install saddle clamps horizontally onto vent pipe. Move Touchdown clamps to desired location and secure stub outs in clamp.

MATERIALS

Bracket: 20-ga. galvanized steel (3-piece assembly)

Channel clamp: Nylon 66, UL-94 V2 flame rating

Clamp insert: TPE

DWV Combo Saddle: White ABS; fits 1½" - 2" Schedule 40

Screws: #8 × 1" zinc-plated, pan-head Phillips with drill tip

SAFE WORKING LOAD*

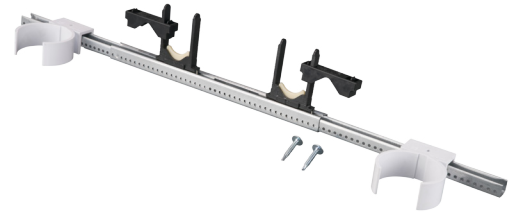
*3-piece bracket assembly with minimum 2" overlap to the ends of the center bracket section.

Bracket Span	Safe load
19"	60 lbs.
22" (max)	50 lbs.

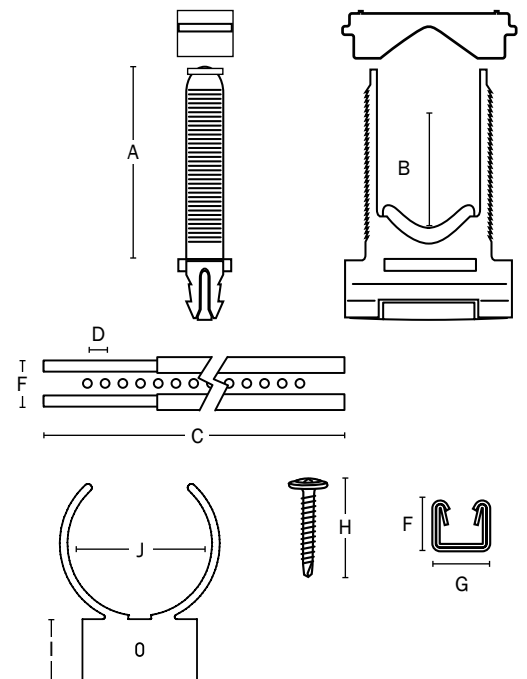
DIMENSIONS

A: Channel clamp post	1⅞"
B: Channel clamp capacity	¼" – 1⅞"
C: Channel clamp base width	1⅞"
D: Pilot hole spacing	0.203" on center
E: Bracket length	19" (when fully collapsed)
F: Bracket height	0.529"
G: Bracket width	0.602"
H: Screw length	1"
I: Saddle clamp base height	0.80"
J: Saddle clamp diameter	1.88"

ITEM # SUBMITTED	_____
JOB NAME	_____
LOCATION	_____
ENGINEER	_____
CONTRACTOR	_____
PO#	_____ TAG _____



523-VLK2



Create Item Number

523-VLKA

e.g. **523-VLK2:** PowerBar™ vent loop kit with two channel clamps and two saddle clamps

BRACKET CONFIGURATION A

523-VLK1 = Three piece bracket; one channel clamp; two saddle clamps; two screws

523-VLK2 = Three piece bracket; two channel clamps; two saddle clamps; two screws