

Ball-Lok™ SINK STRAINERS

/// 245-1652 SERIES, 245-1273 SERIES

SPECIFICATION

Tomahawk Ball-Lok™ sink strainers are designed to prevent debris from entering a drainage system with a removable strainer basket designed to collect debris. Tomahawk sink strainers are intended to convey domestic waste from fixtures to the drain, waste and vent (DWV) system. Complies to ASME A112.18.2-2015/CSA B125.2-15.

MATERIALS

Stainless steel

Finish: polished stainless steel and chrome

FEATURES

- 304 stainless steel body with bright stainless steel basket
- full length 1-1/2" pitch threaded shank
- Ball-Lok™ mechanism with water-tight, leak-proof seal
- cup style

DIMENSIONS

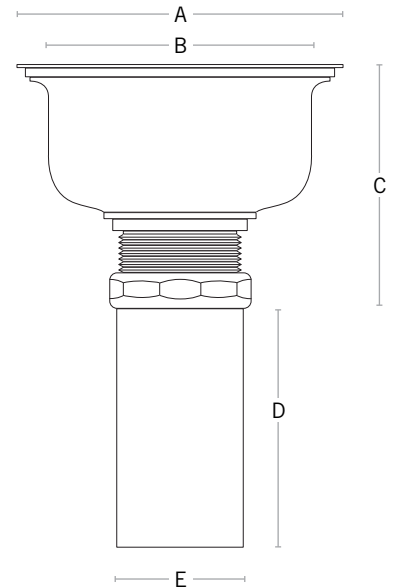
*Tomahawk specifications in US customary units are approximate and are provided for reference only.

- A: flange diameter 4-1/2"
B: body diameter 3-11/32"
C: body height 3-3/8"
D: tailpiece 4"
E: tailpiece diameter 1-1/2"

ITEM # SUBMITTED	_____
JOB NAME	_____
LOCATION	_____
ENGINEER	_____
CONTRACTOR	_____
PO#	_____ TAG _____



245-16522C04



Choose Item Number

245-16520C04

Description: Ball-Lok™ sink strainer, chrome, 1/bx

245-12732C04

Description: Ball-Lok™ sink strainer, cup style, w/ brass nut, chrome, 1/bx

245-16522C04

Description: Ball-Lok™ sink strainer, w/ two brass nuts, chrome, 1/bx

