

BRASS TUBULAR END OUTLET

240 SERIES

SPECIFICATION

Sioux Chief 240 Series brass tubular continuous waste end outlets shall be installed where necessary in plumbing systems. End Outlets shall be designed with a cast brass baffle tee and used to convey domestic waste water from fixtures to DWV system.

Designed in accordance with ASME A112.18.2.

MATERIALS

Tubular: Chrome-plated brass

Nuts: Chrome-plated zinc or brass

DIMENSIONS

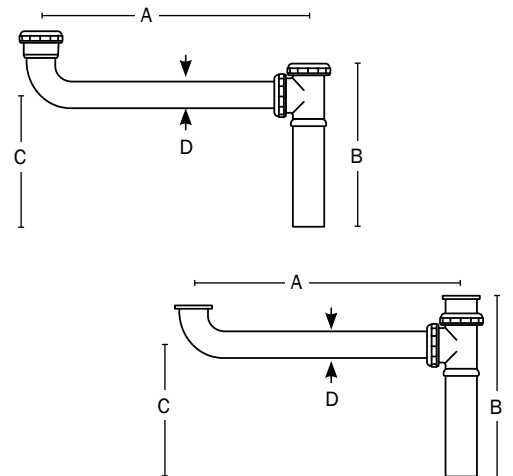
	-276116C04	-276121C04	-276216C04
A: Length	16"	21"	16"
B: Trunk height	6-1/2"	6-1/2"	6-1/2"
C: Waste arm height	7-1/2"	7-1/2"	7-1/2"
D: O.D.	1-1/2"	1-1/2"	1-1/2"
Gauge	22ga	22ga	20ga

	-276221C04	-276316C04	-276321C04
A: Length	21"	16"	21"
B: Trunk height	6-1/2"	6-1/2"	6-1/2"
C: Waste arm height	7-1/2"	7-1/2"	7-1/2"
D: O.D.	1-1/2"	1-1/2"	1-1/2"
Gauge	20ga	17ga	17ga

	-286116C04	-286216C04	-286316C04 ¹
A: Length	16"	16"	16"
B: Trunk height	7-1/2"	7-1/2"	7-1/2"
C: Waste arm height	7-1/2"	7-1/2"	7-1/2"
D: O.D.	1-1/2"	1-1/2"	1-1/2"
Gauge	22ga	20ga	17ga

¹ Brass nuts

ITEM # SUBMITTED	_____
JOB NAME	_____
LOCATION	_____
ENGINEER	_____
CONTRACTOR	_____
PO#	_____ TAG _____



Create Item Number

240-ABC

e.g. **240-276116C04:** Chrome-plated brass slip Joint end outlet - 1-1/2" x 16", 22 gauge,

CONNECTION TYPE **A**

276 = Slip Joint Connection

286 = Direct Connect

GAUGE **B**

1 = 22 Gauge

2 = 20 Gauge

3 = 17 Gauge

LENGTH **C**

16C04 = 16"

21C04 = 21"



Note: Not all option combinations are available. See Dimensions table above for available items.