

THERMOSTATIC MIXING VALVE

»» 120 SERIES

SPECIFICATION

Sioux Chief 120 Series thermostatic mixing valve shall be used in plumbing systems to provide safe/tempered water temperatures at the lavatory or other fixture. Mixing valve shall allow control of both hot and cold incoming lines and deliver either a single, mixed/tempered line out, or both a mixed/tempered line and a cold (bypass) line out to the fixture. Valve shall incorporate integral, replaceable check valves and stainless steel 60 mesh screens to protect from sediment/debris. Valve shall be set on ABS base for solid/secure mounting on walls. Designed in accordance with ASSE 1070

MATERIALS

Mixing Valve Body: No Lead brass¹, Stainless steel springs, EPDM o-rings, Stainless steel debris screens, Nylon test cap, No Lead brass¹ bypass cap
Mounting Base : ABS

OPERATING PRESSURE

Min: 30 PSI | Max: 125 PSI | Max Test Pressure: 150 PSI

INLET TEMPERATURE

Cold Inlet: 39°F - 85°F | Hot Inlet: 120°F - 180°F

FLOW RATE

Min: 0.25 GPM | Max: 4.0 GPM

OPERATION

Valve maintains and limits hot water to a selectable temperature between 80°F and 120°F. Valve is factory preset to deliver a maximum 'mixed' water temperature of 105°F. The water temperature can be adjusted by the installer; however, a maximum temperature of 105°F is recommended.

- Higher temperatures may result in scalding, serious bodily harm and/or death.
- Carefully read and follow all instructions for installation and maintenance.
- Do Not use pipe dope on female swivel threads.

DIMENSIONS

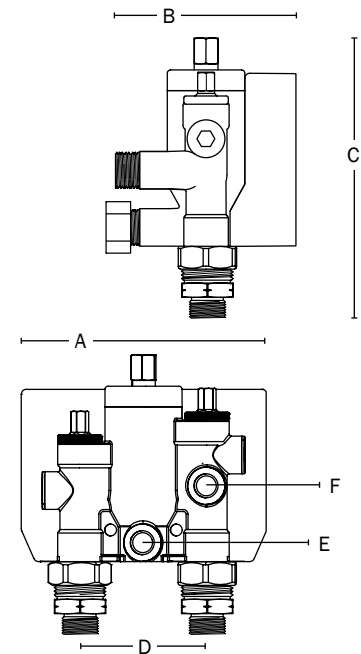
- A:** Base width 3-7/8"
- B:** Depth with base 2-7/8"
- C:** Overall height 4"
- D:** Supply connections 3/8" Compression, 2" O.C.
- E:** Outlet connection 3/8" compression
- F:** Cold bypass connection 3/8" compression

¹ Material is C69300 and C46500. Brass is dezincification and SCC resistant, and is compliant with NSF-61 Annex G and California No Lead Plumbing Law

ITEM # SUBMITTED	_____
JOB NAME	_____
LOCATION	_____
ENGINEER	_____
CONTRACTOR	_____
PO#	_____ TAG _____



120-TM3F



Item Number

120-TM3F