

VACUUM BREAKER

»» 117 SERIES

SPECIFICATION

Sioux Chief 117-03 manual-draining vacuum breaker shall be used where necessary in water distribution systems. Vacuum breaker shall connect to hose thread faucets to prevent siphonage/backflow at the point of use. Designed in accordance with ASSE 1011.

MATERIALS

Washer: Rubber (NBR)
Lock screw: 304 Stainless steel
Bonnet: Brass¹
Seat: Acetal (POM) Copolymer
Body: Brass¹

DIMENSIONS

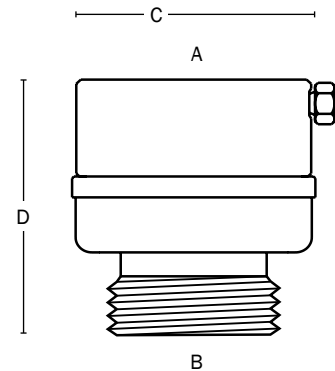
A: Inlet connection 3/4" FHT
B: Outlet connection 3/4" MHT
C: Overall diameter 1-5/16"
D: Overall height 1-3/8"

1 C37700 Brass material

ITEM # SUBMITTED	_____
JOB NAME	_____
LOCATION	_____
ENGINEER	_____
CONTRACTOR	_____
PO#	_____ TAG _____



117-03



Item Number

117-03