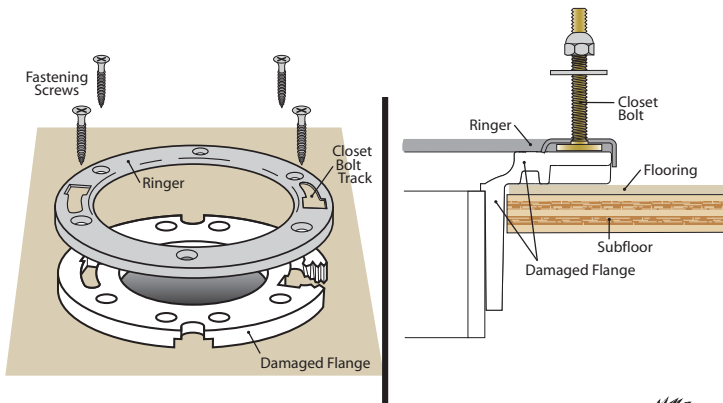


Installation Instructions

Always be aware of, and follow local plumbing codes

Failure to follow these instructions could result in personal injury or property damage

1. Remove wax and clean damaged flange. Remove closet bolts (if installed)
2. Align the Ringer over the damaged flange so that the closet bolt tracks are in the same position as those on damaged flange. An imaginary line between the two closet bolt positions should be parallel to the back wall.
3. Fasten the Ringer to the subfloor (through the damaged flange) using screws on each side of both tracks that bolts will be installed into. It may be necessary to remove mounting screws from existing flange in order to attach Ringer to subfloor. Using screws in to additional mounting holes is optional.
4. Set closet bolts into tracks in the Ringer and continue with installation of bowl wax and toilet fixture according to manufacturers instructions.



1-800-821-3944 www.siouxchief.com
RINGER INSTRUCTION SHEET - 02/12
© 2011 SIOUX CHIEF MFG.

**Sioux
Chief** 
MANUFACTURING SINCE 1957