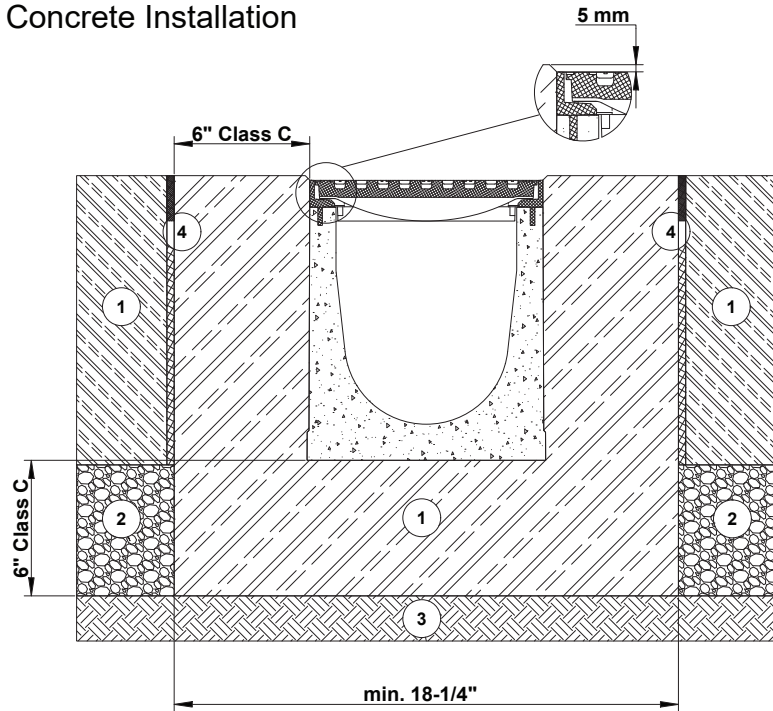


Installation Detail: HydroTec Maxi 100 ADA

EN 1433 - C250 / TYPE M

Concrete Installation

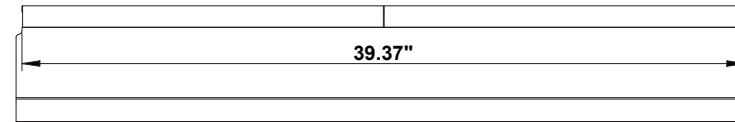
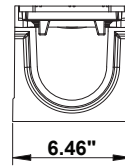


- 1 Concrete C25/30
- 2 Load-bearing substructure
- 3 Frost-proof, load-bearing substructure
- 4 Expansion joint

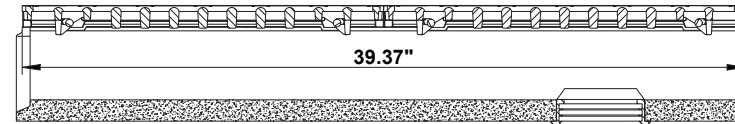
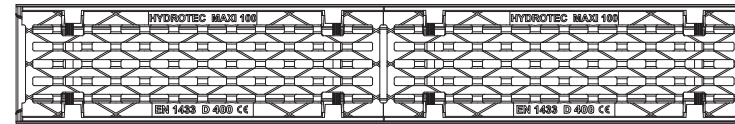
The edge protector of the channel must be permanently seated approx. 5 mm lower than the adjoining surface

Notes

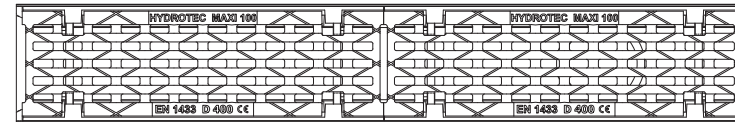
- Dimensions shown are minimum guidelines and should be verified by specifying engineer subject to change based on local codes, application and/or ground conditions.
- Specifying engineer is responsible for the structural reinforcement of the trench drain encasement
- Expansion joints are recommended between the adjoining surface and trench drain encasement. Failure to incorporate expansion joints may result in failure of the adjoining surface and/or trench drain
- Product dimensions are subject to manufacturing tolerances and subject to change.



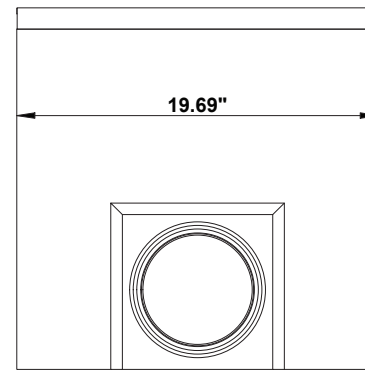
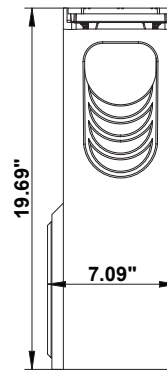
Basic element (full meter)



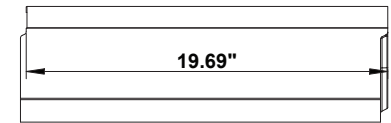
Special element (bottom outlet)



Catch basin



Basic element (half meter)



Special element (side outlets)

