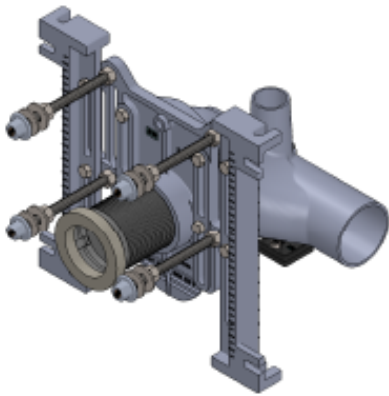
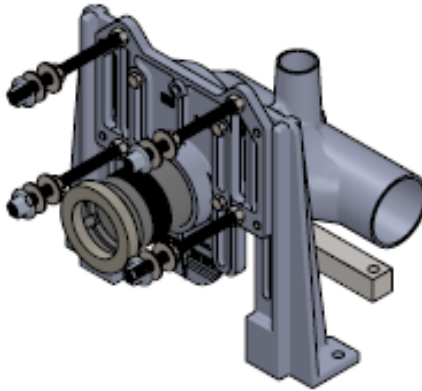


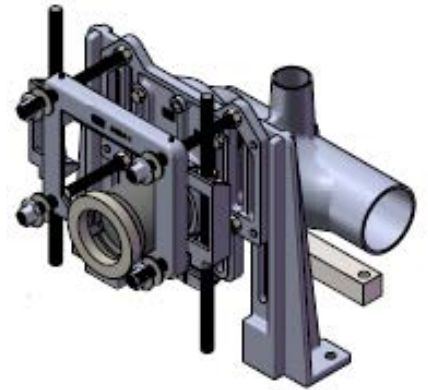
837 Series Water Closet Carrier



837-HS Series

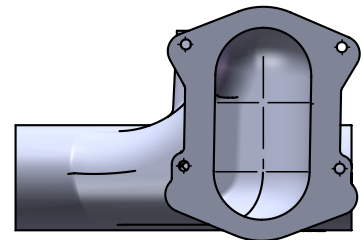
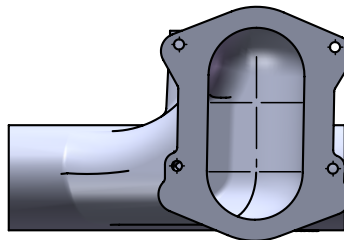
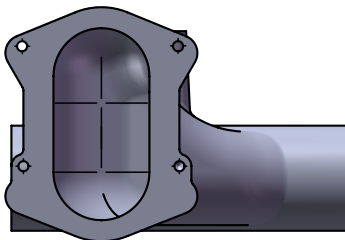
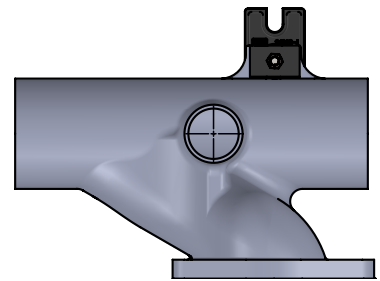
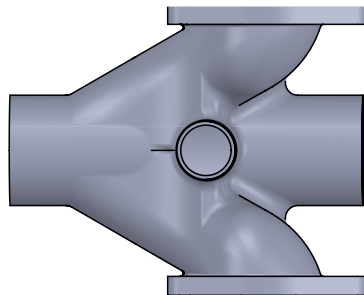
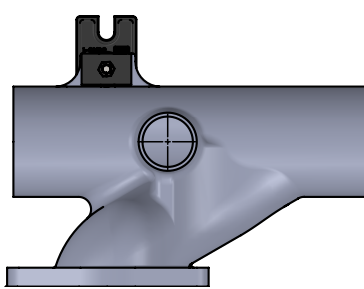


837-HX Series



837-HB Series

STEP 1: Determine the style of carrier to be used.

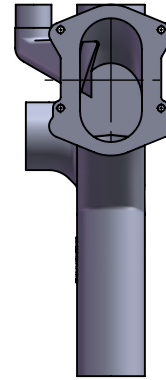
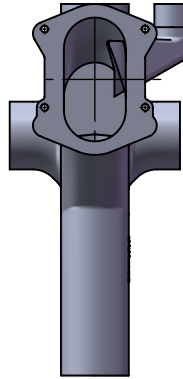
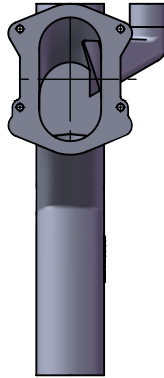
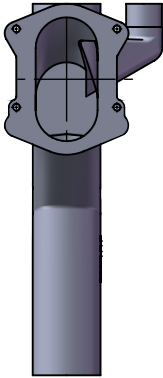
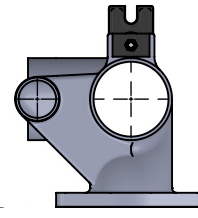
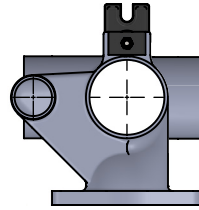
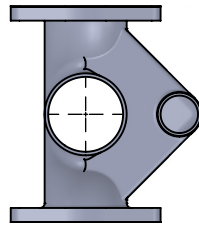
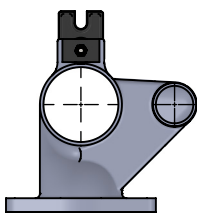


**Horizontal Single
Left Hand
Carrier Fitting**

**Horizontal Double
Right Hand
Carrier Fitting**

**Horizontal Single
Right Hand
Carrier Fitting**

837 Series Water Closet Carrier

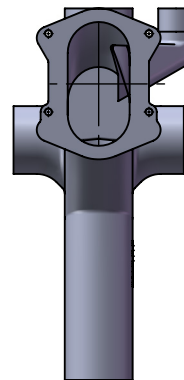
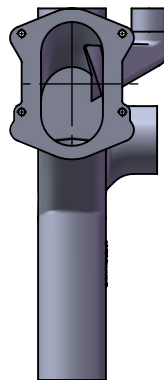
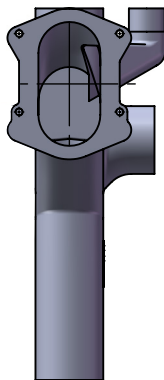
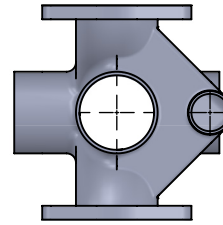
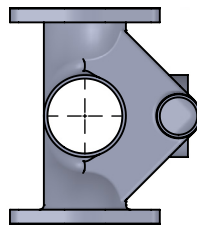
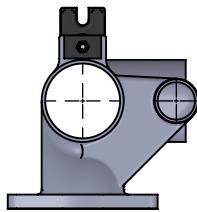


**Vertical Single
Carrier Fitting
No Side Inlets**

**Vertical Double
Carrier Fitting
No Side Inlets**

**Vertical Single
Carrier Fitting
Two Side Inlets**

**Vertical Single
Carrier Fitting
Left Side Inlet**



**Vertical Single
Carrier Fitting
Right Side Inlet**

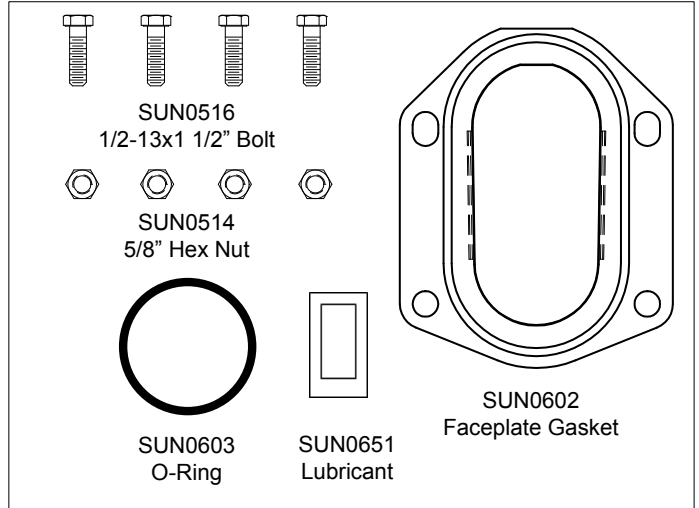
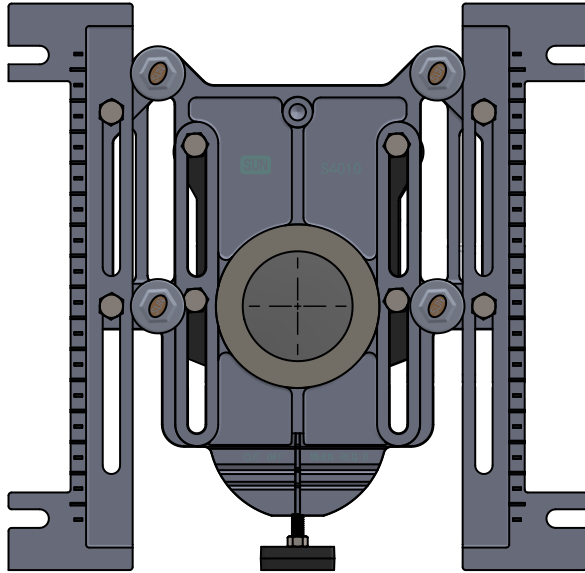
**Vertical Double
Carrier Fitting
One Side Inlet**

**Vertical Double
Carrier Fitting
Two Side Inlets**

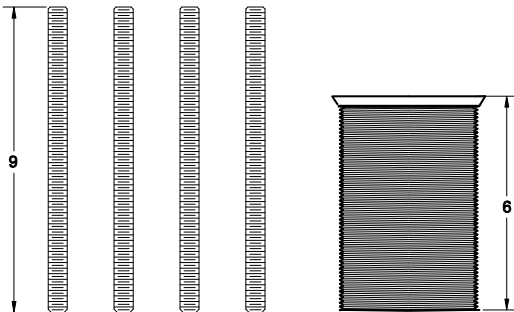
Installation Guide

837 Series Water Closet Carrier

STEP 2: Verify all components of the faceplate assembly

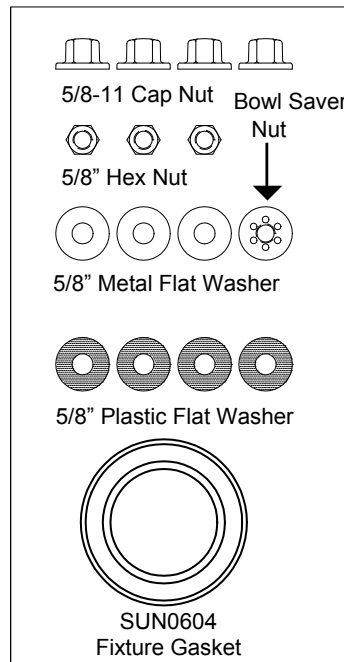


HW5500-R
Rough-in Hardware Bag

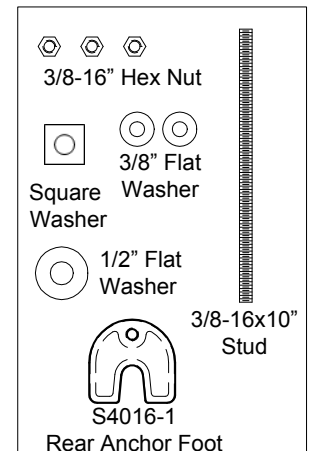


HW5500-S
5/8-11x9"
Threaded Rod (4 pcs)

S4020
6" Coupling



HW5500-F
Finish Hardware Bag



HW5500-RA
Rear Anchor Support

837 Series Water Closet Carrier

STEP 3: Layout all of the closet fittings on the floor and connect with the proper length of pipe between adjoining fittings. Support each pipe segment for correct pitch and elevation. Ensure all fitting faces are parallel and aligned.

STEP 4: Remove faceplate gasket from box and place on the carrier fitting face. Locate the ribs on the gasket and align onto the oval opening of the fitting. Ensure the four holes in the gasket properly align with the four tapped holes in the carrier fitting.

STEP 5: From the fixture manufacturer's rough-in sheet, determine the recommended rough-in height to the closet horn. Remove the lugs on the bottom of the faceplate to achieve the correct height.

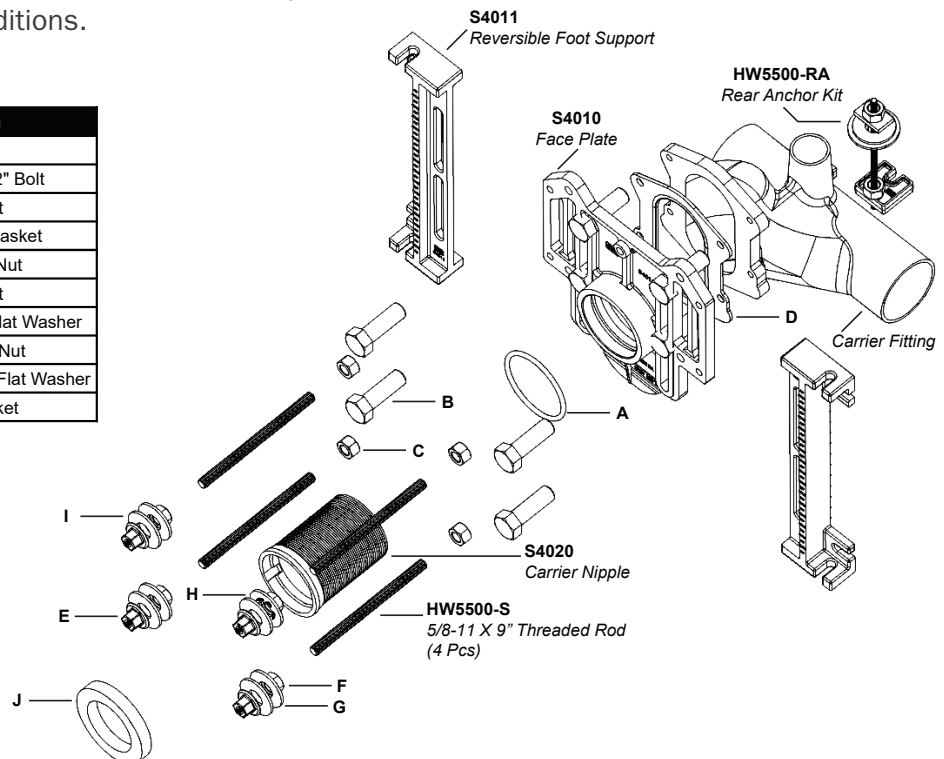
STEP 6: Bolt faceplate onto fitting using provided hardware. Hand tighten.

STEP 7: Adjust feet on faceplate assemblies so that the bottom of the feet are parallel to the faceplate. Securely tighten the bolts with a wrench. Subsequent fittings and faceplates should be aligned lower to allow for proper drainage pitch. After this adjustment is made, tighten all bolts uniformly until the gasket is sufficiently compressed.

STEP 8: Move the carrier system into the desired position. Verify the carrier alignments and leveling and connect to waste stack. Confirm closet outlets are in proper position horizontally and vertically. Secure feet to floor using 1/2" anchor bolts (not included) of proper style and length for existing floor conditions.

STEP 9: If the carriers are single fittings, install the rear anchor foot assembly. Screw the threaded rod into the foot and secure with locknut. Place the assembly into position with the anchor slot on the rear of the carrier fitting. Secure with two washers and two hex nuts. Adjust and tighten so that the anchor foot remains in contact with concrete floor. Secure anchor foot to floor using 1/2" anchor bolt (not included) of proper style and length for existing floor conditions.

Kit Number	Desig.	Qty.	Part No.	Description
HW5500-R Rough In HDW Bag	A	1	SUN0603	O-Ring
	B	4	SUN0516	1/2-13x1-1/2" Bolt
	C	4	SUN0514	5/8" Hex Nut
	D	1	SUN0602	Faceplate Gasket
HW5500-F Finish HDW Bag	E	4	--	5/8-11 Cap Nut
	F	3	--	5/8" Hex Nut
	G	3	--	5/8" Metal Flat Washer
	H	1	--	Bowl Saver Nut
	I	4	--	5/8" Plastic Flat Washer
	J	1	SUN0604	Fixture Gasket



837 Series Water Closet Carrier

STEP 10: Insert o-ring into the recess of the threaded opening of the faceplate. Lubricate the o-ring generously with the included petroleum jelly. Screw the threaded coupling into the faceplate. Recognize the change in tension as the coupling and o-ring meet. Use a coupling wrench for final adjustments. The threads of the coupling should be protected to prevent grout adherence and allow adjustments when installing fixture.

STEP 11: Using the 5/8" hex nuts provided, thread onto the threaded studs and screw into the threaded holes on the faceplate. Tighten the hex nuts with a wrench. The threaded studs should remain covered with the plastic sleeve until the fixture is installed. The studs should extend 2" past the finish wall.

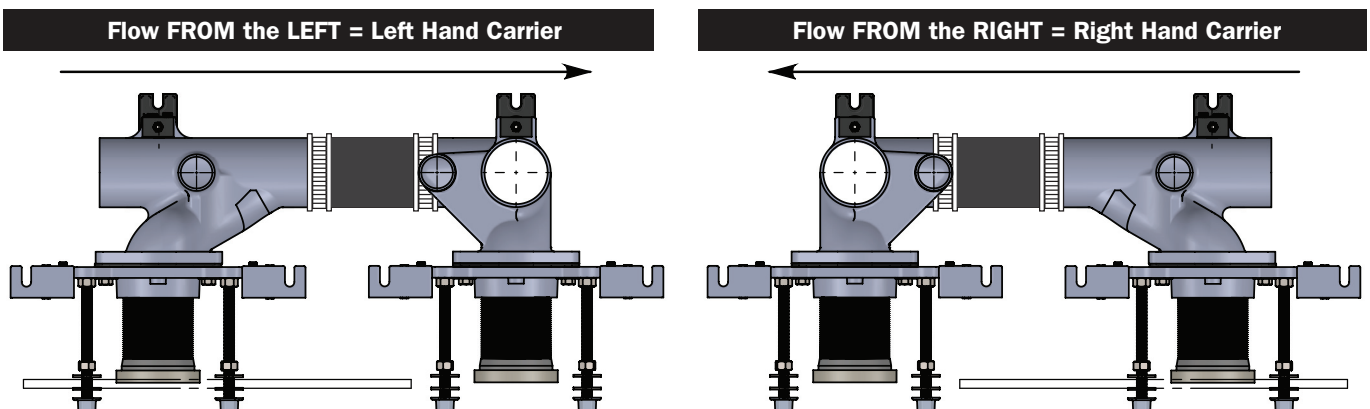
STEP 12: After the finished wall is complete, install the remaining washers and hex nuts onto the bottom two fixture support studs and one of the top studs. The remaining stud receives the provided bowl saver nut. The coupling and studs can now be cut to length. Verify the stud and coupling dimensional data due to the variations in gasket recesses and water closet flanges. Use the toilet manufacturer's installation instructions to determine the exact length of studs and coupling.

STEP 13: Fully remove the integral test cap from the threaded coupling prior to installation of the closet to the carrier.

STEP 14: After the fixture support studs (threaded rod) and closet coupling have been adjusted to the proper dimensions, install the neoprene bowl gasket onto the coupling. Adjust the nuts and washers to allow for a 1/16" gap between the fixture and the finished wall. The bowl saver nut should be adjusted further back. Install the fixture, aligning the holes with the support studs and ensuring the gasket seats into the fixture recess. Install three cap nuts onto the studs. Tighten securely. Reach into the cavity between the fixture hole and support stud to rotate the bowl saver nut to bring the washer in contact with the fixture flange. Install the remaining cap nut and tighten.

Note: The carrier is designed to support the fixture only. Piping must be supported by other means.

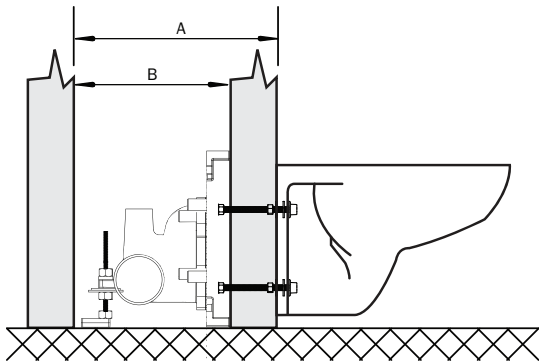
Flow Direction: The flow direction of a closet carrier fitting is determined by FACING THE BOWL.
If the flow is FROM the RIGHT, a right-hand fitting is required.
If the flow is FROM the LEFT, a left-hand fitting is required.



837 Series Water Closet Carrier

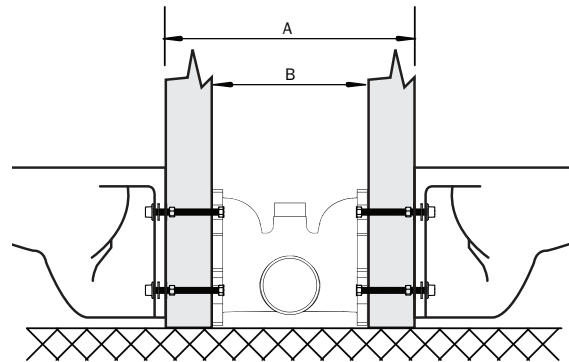
Basic Dimensions: Minimum wall chase requirements

Single Horizontal Adjustable Carrier Fittings



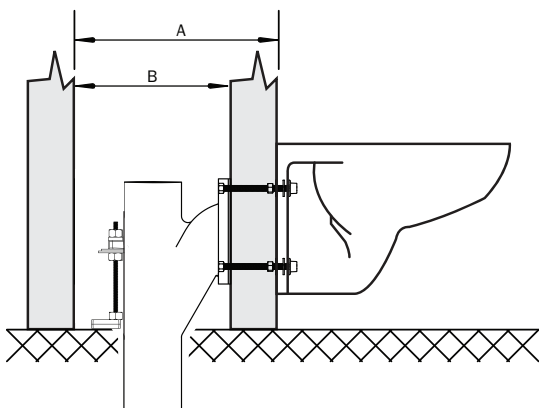
SINGLES		
Product No.	A	B
837-HS Series	13.16"	11.30"

Double Horizontal Adjustable Carrier Fittings



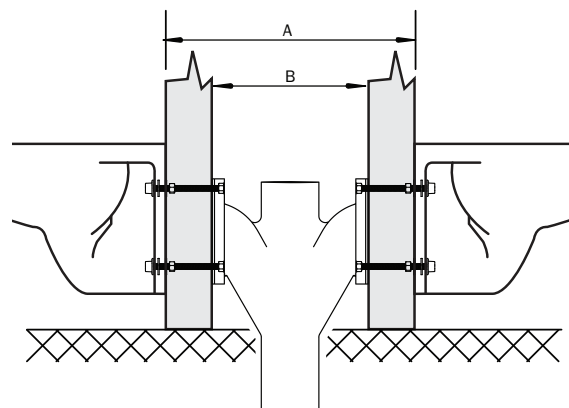
DOUBLES		
Product No.	A	B
837-HSD Series	16.95"	13.20"

Single Vertical Adjustable Carrier Fittings



SINGLES		
Product No.	A	B
837-VS10 Series	13.16"	11.30"

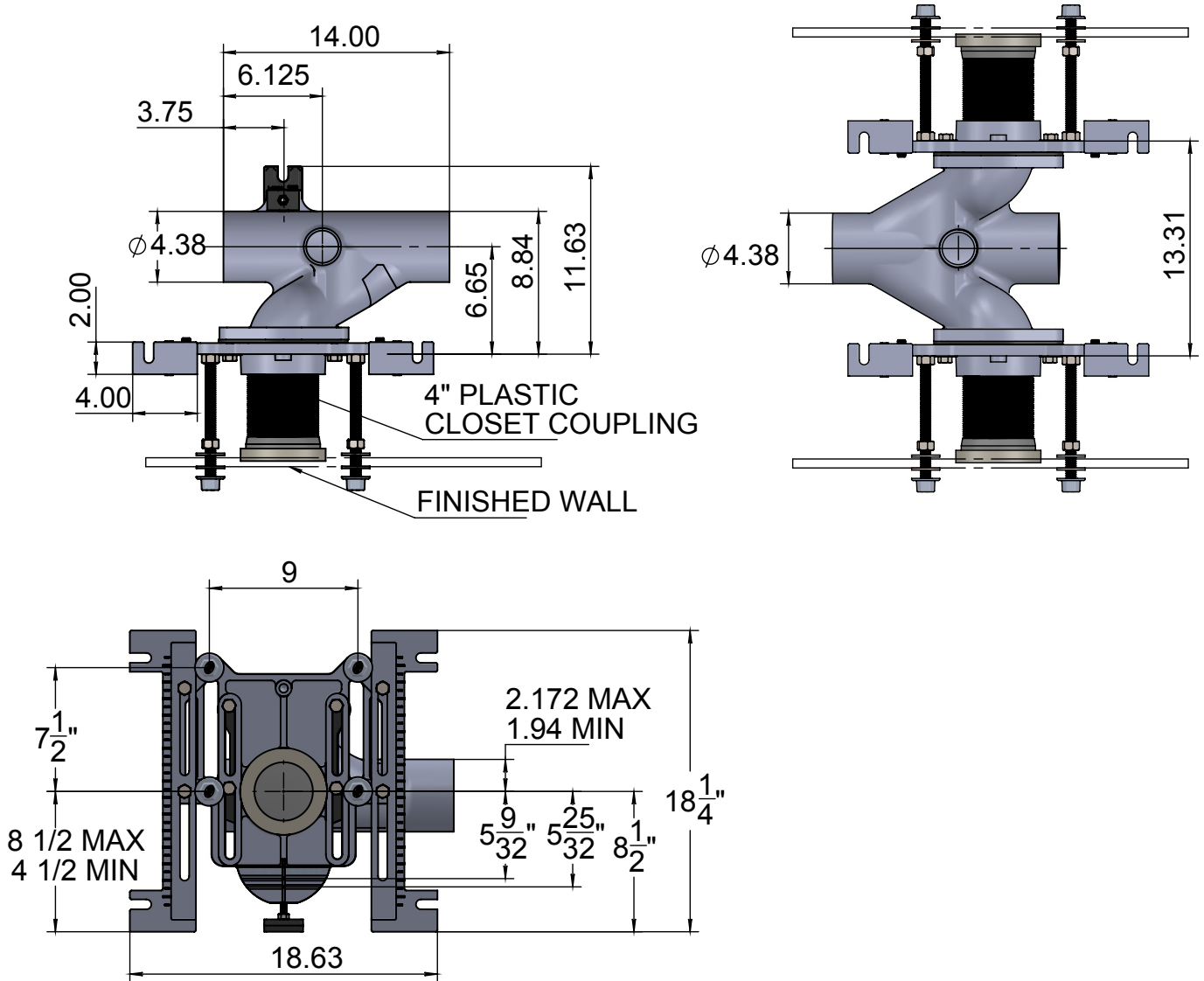
Double Vertical Adjustable Carrier Fittings



DOUBLES		
Product No.	A	B
837-VS20 Series	16.95"	13.20"

837 Series Water Closet Carrier

Basic Dimensions: Standard Horizontal Carrier



837 Series Water Closet Carrier

Basic Dimensions: Standard Vertical Carrier

