

# UNIVERSAL PIPE CLAMP

» 550-20 SERIES

TouchDown II™

ITEM # SUBMITTED	_____
JOB NAME	_____
LOCATION	_____
ENGINEER	_____
CONTRACTOR	_____
PO#	_____ TAG _____

## SPECIFICATION

Sioux Chief 550-20 series, TouchDown II Universal Pipe Clamp is to be used where necessary to insulate or secure any pipe, conduit or wire ranging from 1/2" CTS to 2" IPS in residential or commercial applications. Variable clamping tension allows for thermal expansion and contraction. Provides 1/4" standoff from building member. Clamps shall be certified by UPC/IAPMO.

## INSTALLATION

Secure clamp base to structure with screws (provided). Lay pipe in base of clamp. Install clamp's top bridge over vertical posts and ratchet down to secure pipe.

When desired, optional noise absorption inserts may be purchased separately to provide higher level of noise reduction by installing one insert into each the clamp base and clamp bridge. Noise absorption inserts shall not alter heat or weight tolerances. Noise absorption inserts shall NOT be used with plenum-safe models.

## MATERIALS

**Nylon (black):** 100% corrosion proof virgin nylon 66, U.V. protected, UL94 V-2 rated

**E84 plenum-safe (orange):** Polyvinylidene fluoride (PVDF), meets ASTM E84 25/50 and UL94 V-0

**Noise insert:** TPE

**Screw:** #6 x 1" zinc-plated, bugle head, drill point

## WORKING TEMPERATURE

**Nylon (black):** -10°F – 220°F

**E84 Plenum-Safe (orange):** -10°F – 140°F

## SAFE WORKING LOAD

**Nylon (black):**

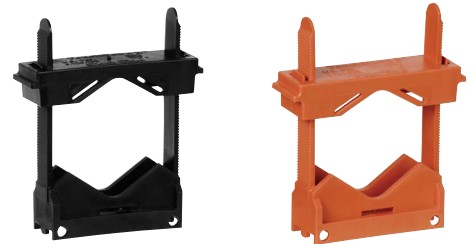
-10°F – 130°F	150 lbs.
131°F – 180°F	105 lbs.
181°F – 220°F	70 lbs.

**E84 Plenum-Safe (orange):**

-10°F – 100°F	50 lbs.
101°F – 120°F	35 lbs.
121°F – 140°F	25 lbs.

## DIMENSIONS

<b>A:</b> Clamp width	0.255"
<b>B:</b> Clamp height	4"
<b>C:</b> Clamp depth	0.98"
<b>D:</b> Clamp range	0.625" – 2.375"
<b>E:</b> Clamp range with inserts	0.875" – 2.375"
<b>F:</b> Bridge width	3.41"
<b>G:</b> Bridge depth	0.97"
<b>H:</b> Centerline dimension	0.5"
<b>I:</b> Centerline dimension	1"
<b>J:</b> Offset distance	0.25"

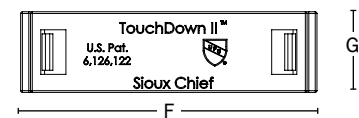
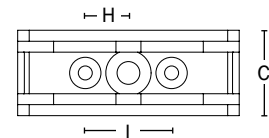
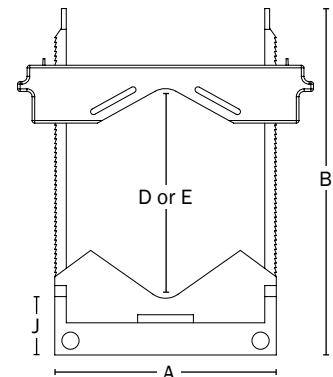


550-20

550F20



550-200B



  
Made in USA

Create Item Number

**550A20B**

e.g. 550-20: Black Nylon TouchDown II

**MATERIAL A**

- = Black nylon (dash)

F = Polyvinylidene fluoride

**NOISE ABSORPTION INSERTS B**

Q = With inserts