



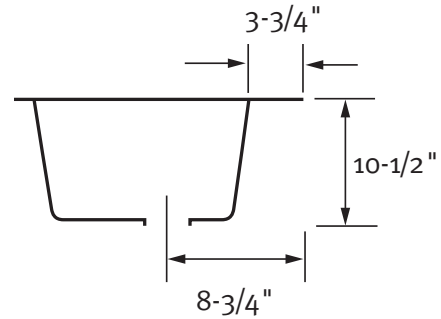
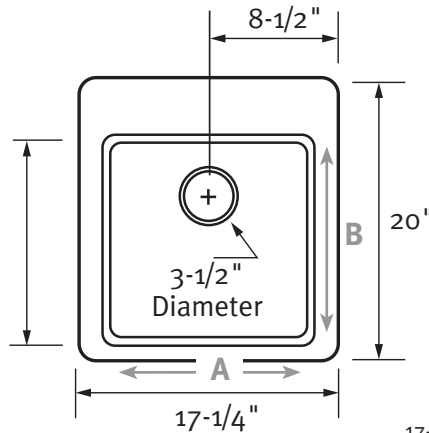
## DIT-S Veritek® Compact Utility Sink

Manufactured from Swanstone  
(See page 2 for detailed information.)

WARRANTY  
Limited 1-year – Residential  
Limited 1-year – Commercial

### FEATURES

- Made of sturdy Veritek® with no surface coating to chip or crack.
- Will not mold or mildew.
- Flat deck—allows for a variety of faucet applications and includes pre-drilled points.
- Rubber drain stopper & drain nc included.



17-1/4" W x 20" D  
(438 mm x 508 mm)  
A 14", B 14"  
Capacity: 7 gallons

### SPECIFICATIONS

#### DIT-S Veritek® Compact Utility Sink

Model	Part	Nominal Dimensions	Ship Wt. Lb.	Ship FedEx	Carton Dims. In.	Cu. Ft.
DIT	DIT20000	17-1/4" W x 20" D (438 mm x 508 mm)	12	FedEx	23 x 22 x 14	4.10

Fits opening of 15-5/8" W x 18-5/8" D (403 mm x 473 mm)

Includes: One utility sink, hardware for countertop attachment.

Packaging: Individual carton.

Note: Three starter holes are countersunk on the underside of the utility sink to accommodate a single, or 4-inch faucet.

### STANDARDS AND RATINGS

American National Standard Institute—ANSI Z124.6

International Association of Plumbing and Mechanical Officials (IAPMO)—Listed

CSA Test Standard B45.5

Uniform Plumbing Code (UPC)

### SUPPORT DOCUMENTS

Installation instructions available at [swanstone.com](http://swanstone.com).

### COLORS

#### Solid Colors:

- Flock (033)

#### Aggregate Colors:

- N/A

### MAINTENANCE AND CLEANING INFORMATION

Clean regularly with common household liquid cleaners and a sponge or soft cloth. For hard water stains, scale removers can be used. **Do not** use abrasive cleaners or metal scouring pads.