

SS-60-5 30" x 60" Tub Wall Kit

Model number:

SS00605

Dimensions: 30" x 60" x 60"

Installation: Glue up

Material: Swanstone

Standard Features:

- Fits 30"D x 60"W tub area or smaller, 60"H (762mm x 1524mm)
- Manufactured from Swanstone solid surface.
- Stunning look adds elegance to your bath.
- Will not mildew, no grout to clean.
- Ideal for both remodeling projects and new construction.
- Heat resistant - walls can handle steamer units.

Product characteristics:

- DIY Product
- Designed for tub replacement
- Easily Trim to Fit

Warranty:

Lifetime limited



Standard colors:



White (010)



Bisque (018)



Bone (037)

Certifications

Swan products adhere to one or more of the following certifications:



Recommended products (Visit our website for a complete list of our recommended products)

No	Description
SW000075	BT-3060L/R 60" x 30" x 16" Veritek

Options (Visit our website for a complete list of our options)

No	Description
<input type="checkbox"/> SW20000002	SS-7211 Corner Soap Dish
<input type="checkbox"/> SW20000005	GB-1432 Barrier-Free Grab Bar
<input type="checkbox"/> SW20000009	TK-6072 Wall Panel Trim Kit
<input type="checkbox"/> SW20000016	SS-29 Installation Kit
<input type="checkbox"/> SW20000031	AS-1075 Recessed Shelf

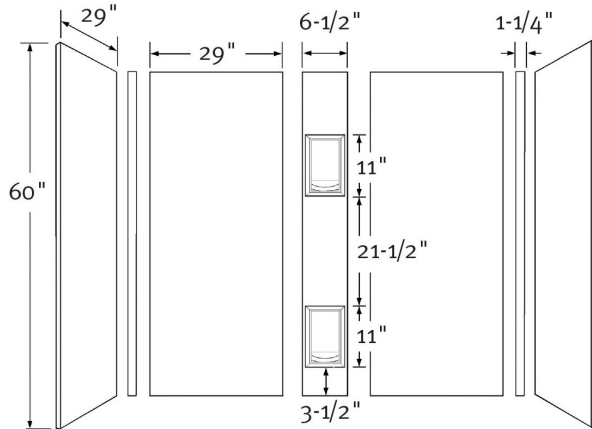
SS-60-5 30" x 60" Tub Wall Kit

Model number: SS00605

Dimensions: 30" x 60" x 60" **Installation:** Glue up

Material: Swanstone

Dimensions:
30 x 60 x 60 in.
Weight:
121 lbs



Designed to fit tub area 30" deep x 60" wide (762 mm x 1524 mm), or smaller

Project:

Contractor:

Representative:

Date:

Tel:

Notes: