

# SR-3260LM /RM 32" x 60" Retrofit Shower Pan

**Model number:** SR03260LM

**Dimensions:** 32" x 60" x 4"

**Installation:**

**Material:** Swanstone



## Standard Features:

- Available in left or right-hand drain.
- Reinforced solid surface means color and texture run all the way through and cannot wear away.
- Will not mold or mildew, no grout to clean.
- Pebbled, slip-resistant surface.
- Coordinates with Swanstone shower and bath systems.
- Without expensive plumbing re-work, this floor can be installed in the same area once

## Product characteristics:

- Designed for tub replacement
- Low Threshold
- Coordinating wall set available

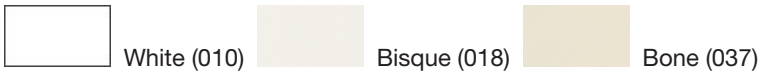
## Warranty:

Lifetime limited

## Code Compliant:

ANSI

## Standard colors:



## Certifications

Swan products adhere to one or more of the following certifications:



## Recommended products (Visit our website for a complete list of our recommended products)

No	Description
SW000016	SK-366072 36" x 60" x 72" Bath Wall Kit
SW000017	SK-366296 36" x 62" x 96" Bath Wall Kit
SW000021	SQMK72-3662 36" x 62" x 72" Square Tile Bath Wall Kit

# SR-3260LM /RM 32" x 60" Retrofit Shower Pan

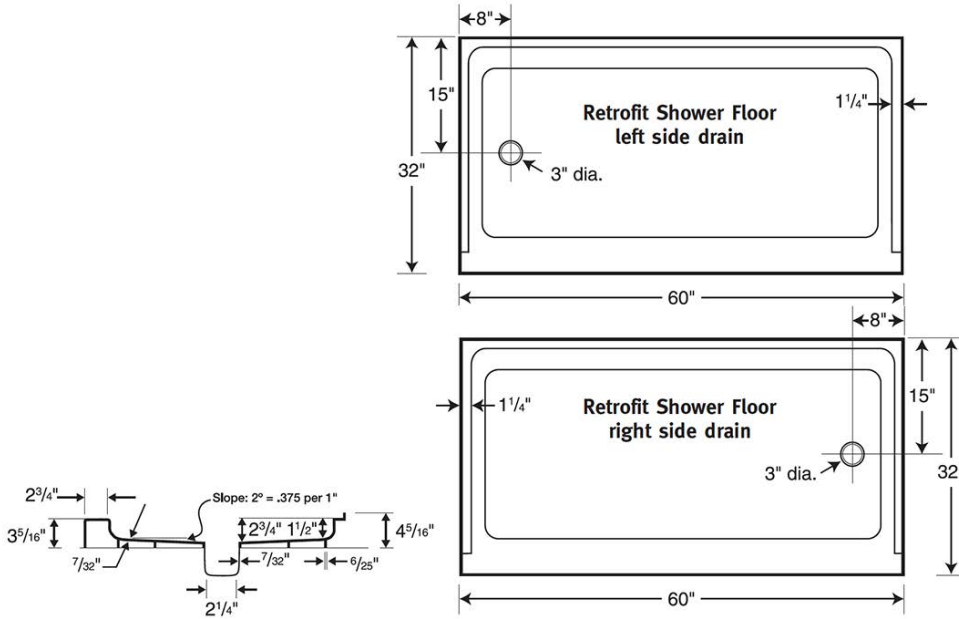
**Model number:** SR03260LM

**Dimensions:** 32" x 60" x 4"

**Installation:**

**Material:** Swanstone

<b>Dimensions:</b>
32 x 60 x 4 5/16 in.
<b>Weight:</b>
55 lbs
<b>Shape:</b>
Rectangular
<b>Drain location:</b>
Left
Right
<b>Installation:</b>
Alcove



Project:

Contractor:

Representative:

Date:

Tel:

Notes: