

SBF-3060LM/RM 30" x 60" Universal Design Shower Pan

Model number:

SB03060LM

Dimensions: 30" x 60" x 4"

Installation:

Material: Swanstone



Standard Features:

- Meets ADA accessibility requirements for use in existing bathing facilities. Does NOT meet those requirements for new construction.
- Reinforced solid surface means color and texture run all the way through and cannot wear away.
- Will not mold or mildew, no grout to clean.
- Pebbled, slip-resistant surface.
- Coordinates with Swanstone shower and bath systems.

Product characteristics:

- Designed for tub replacement
- Coordinating wall set available
- Roll-in threshold

Warranty:

Lifetime limited

Code Compliant:

ADA

Standard colors:



White (010)



Bisque (018)



Bone (037)

Certifications

Swan products adhere to one or more of the following certifications:



Recommended products (Visit our website for a complete list of our recommended products)

No	Description
SW005046	TSMK84-3062 30" x 62" x 84" Swanstone Subway Tile Bath Wall Bath Kit
SW005050	TSMK72-3062 30" x 62" x 72" Swanstone Subway Tile Bath Wall Bath Kit
SW000016	SK-366072 36" x 60" x 72" Bath Wall Kit

SBF-3060LM/RM 30" x 60" Universal Design Shower Pan

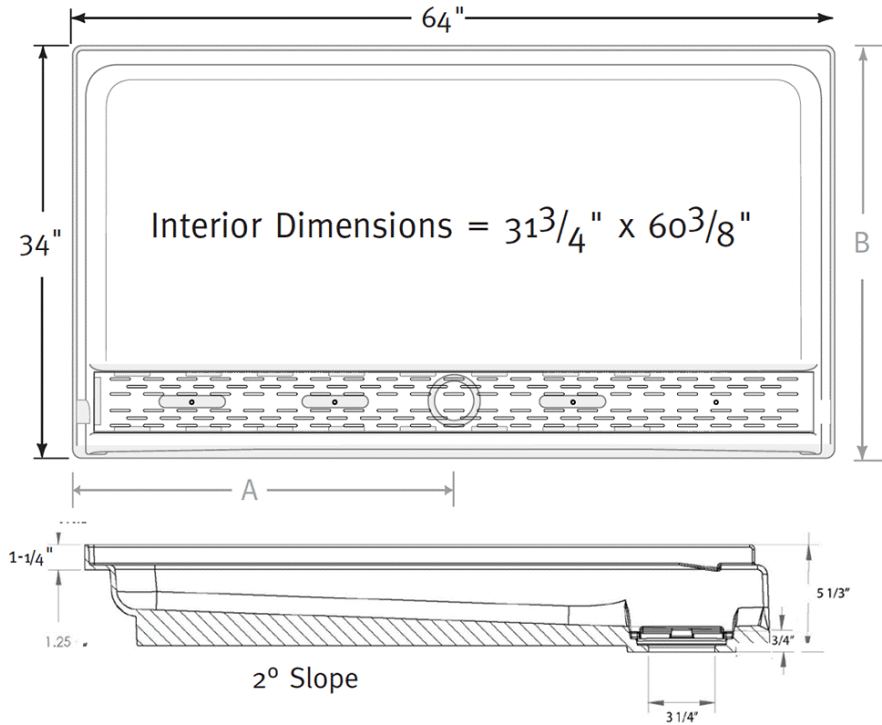
Model number:

SB03060LM

Dimensions: 30" x 60" x 4"

Installation:

Material: Swanstone



Trough system drains into standard 2" drain pipe.

Dimensions:

30 x 60 x 4 3/16 in.

Weight:

58 lbs

Shape:

Rectangular

Drain location:

Left

Right

Installation:

Alcove

Project:

Contractor:

Representative:

Date:

Tel:

Notes: