

SAMUEL HEATH

Product Number: V7KA41LF

Description: Diverter

Finishes Available



Chrome Plate



Polished Nickel



Stainless Steel with Matt Black



Urban Brass



City Bronze

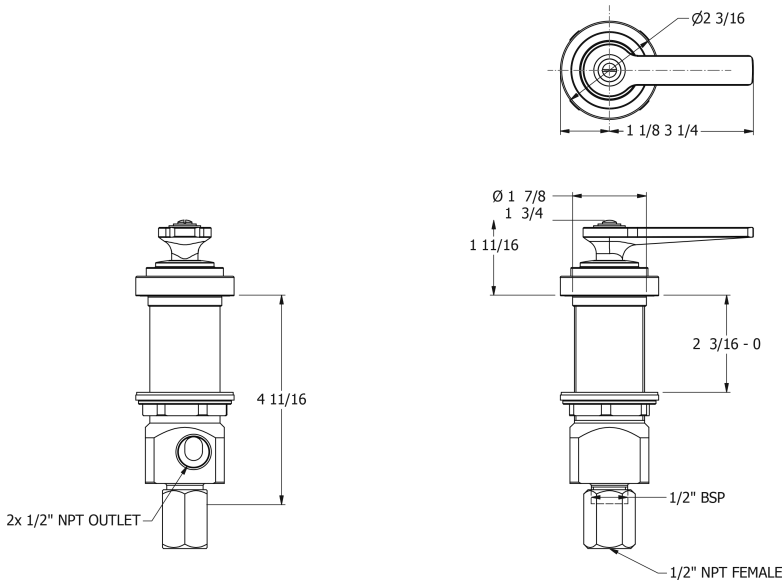


Matt Black Chrome



Urban Brass Matt Lacquered

Specification Drawing



Kit Components



V741-A-F

V759-LF

UK Customer Service
 Leopold Street
 Birmingham
 B12 0UJ
 Tel: +44 121 766 4200
 Email: info@samuel-heath.com

US Customer Service
 Federal I.D. No. 58-1504682
 Email: usa@samuel-heath.com

Specification Enquiries
 Design Centre Chelsea Harbour
 1st Floor, North Dome, London
 SW10 0XE
 Tel: 020 7352 0249
 Email: showroom@samuel-heath.com

1-01/10/2019