

# SAMUEL HEATH

**Product Number:** V7KA16XK

**Description:** 3 Hole lavatory filler with pop-up waste, 10 3/16" spout height

## Finishes Available



Chrome Plate



Polished Nickel



Stainless Steel with Matt Black



Urban Brass



City Bronze

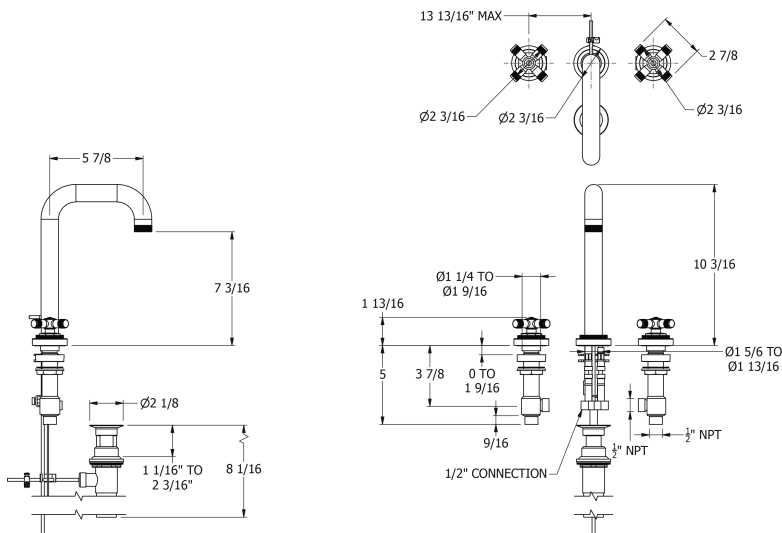


Matt Black Chrome



Urban Brass Matt Lacquered

## Specification Drawing



## Kit Components



V716-ALL-K

V751-XK

### UK Customer Service

Leopold Street  
Birmingham  
B12 0UJ  
Tel: +44 121 766 4200  
Email: info@samuel-heath.com

### US Customer Service

Federal I.D. No. 58-1504682  
Email: usa@samuel-heath.com

### Specification Enquiries

Design Centre Chelsea Harbour  
1st Floor, North Dome, London  
SW10 0XE  
Tel: 020 7352 0249  
Email: showroom@samuel-heath.com