

SAMUEL HEATH

Product Number: V7K47-2LK

Description: 3 Hole wall mounted bath filler, 210mm spout length

Finishes Available



Chrome Plate



Polished Nickel



Stainless Steel Finish



Stainless Steel with Matt Black



Urban Brass



City Bronze



Matt Black Chrome

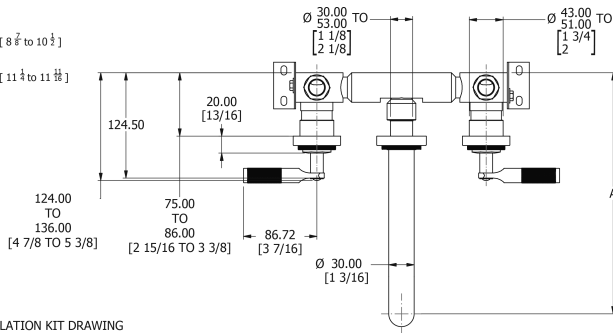


Urban Brass Matt Lacquered

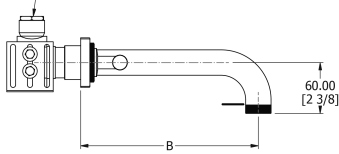
Specification Drawing

SPOUT LENGTHS:

V7K47-1: A = 255mm to 267mm [8 5/8 to 10 1/2]
 B = 180mm [7 1/8]
 V7K47-2: A = 285mm to 297mm [11 1/4 to 11 3/4]
 B = 210mm [8 2/7]



SEE INSTALLATION KIT DRAWING
 UK & EUR - V718 - IS - XX
 US - V718 - AIS -XX



Kit Components



V747-2K

V751-LK

UK Customer Service

Leopold Street
 Birmingham
 B12 0UJ
 Tel: +44 121 766 4200
 Email: info@samuel-heath.com

US Customer Service

Federal I.D. No. 58-1504682
 Email: usa@samuel-heath.com

Specification Enquiries

Design Centre Chelsea Harbour
 1st Floor, North Dome, London
 SW10 0XE
 Tel: 020 7352 0249
 Email: showroom@samuel-heath.com