

SAMUEL HEATH

Product Number: V7K17-2XK

Description: 3 Hole wall mounted basin filler, 180mm spout length

Finishes Available



Chrome Plate



Polished Nickel



Stainless Steel Finish



Stainless Steel with Matt Black



Urban Brass



City Bronze



Matt Black Chrome

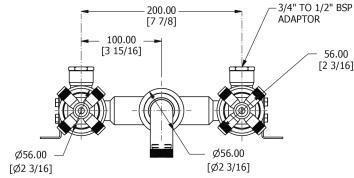
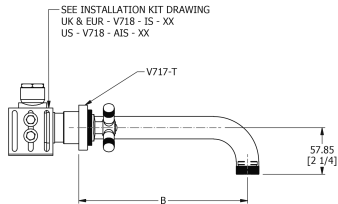
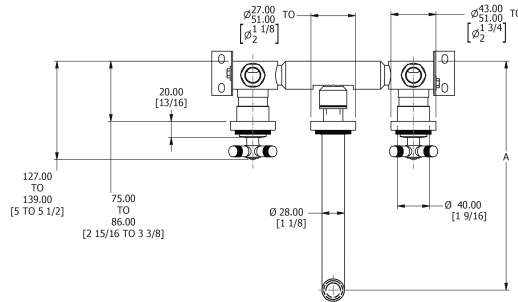


Urban Brass Matt Lacquered

Specification Drawing

SPOUT LENGTHS:

- V7K17-1: A = 215mm to 227mm [8 1/8 to 8 11/16]
B = 140mm [5 1/2]
- V7K17-2: A = 255mm to 267mm [8 1/8 to 10 1/4]
B = 180mm [7 1/8]
- V7K17-3: A = 285mm to 297mm [11 1/4 to 11 11/16]
B = 210mm [8 3/4]



Kit Components



V717-2F

V751-XK

UK Customer Service
Leopold Street
Birmingham
B12 0UJ
Tel: +44 121 766 4200
Email: info@samuel-heath.com

US Customer Service
Federal I.D. No. 58-1504682
Email: usa@samuel-heath.com

Specification Enquiries
Design Centre Chelsea Harbour
1st Floor, North Dome, London
SW10 0XE
Tel: 020 7352 0249
Email: showroom@samuel-heath.com

1-01/10/2019