

SAMUEL HEATH

Product Number: V6KA48MB
Description: 4 hole tub filler

Finishes Available



Chrome Plate



Polished Nickel



Non Lacquered Brass



Antique Gold



City Bronze



Country Bronze



Brushed Gold Gloss

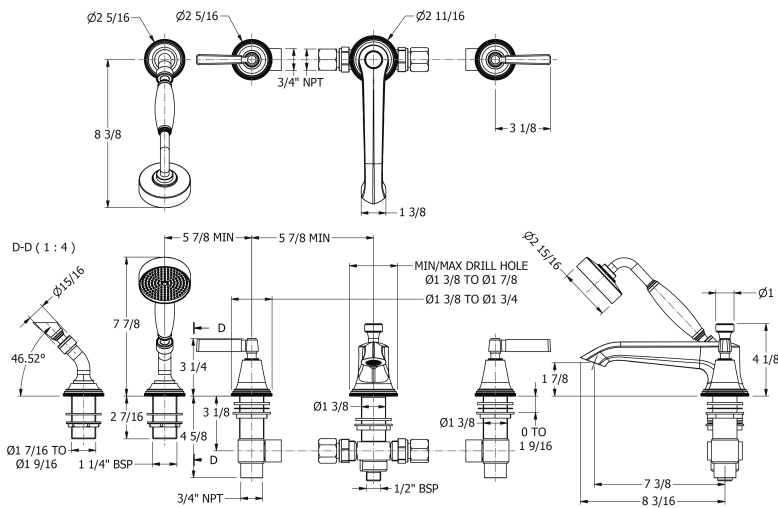


Brushed Gold Matt



Brushed Gold Unlacquered

Specification Drawing



Kit Components



V648-A



V651-MB

V654

UK Customer Service
 Leopold Street
 Birmingham
 B12 0UJ
 Tel: +44 121 766 4200
 Email: info@samuel-heath.com

US Customer Service
 Federal I.D. No. 58-1504682
 Email: usa@samuel-heath.com

Specification Enquiries
 Design Centre Chelsea Harbour
 1st Floor, North Dome, London
 SW10 0XE
 Tel: 020 7352 0249
 Email: showroom@samuel-heath.com

1-05/09/2019