

SAMUEL HEATH

Product Number: V2K7AXX12

Description: Exposed 1/2" thermostatic shower set - single volume control



Finishes Available



Chrome Plate



Polished Nickel



Non Lacquered Brass

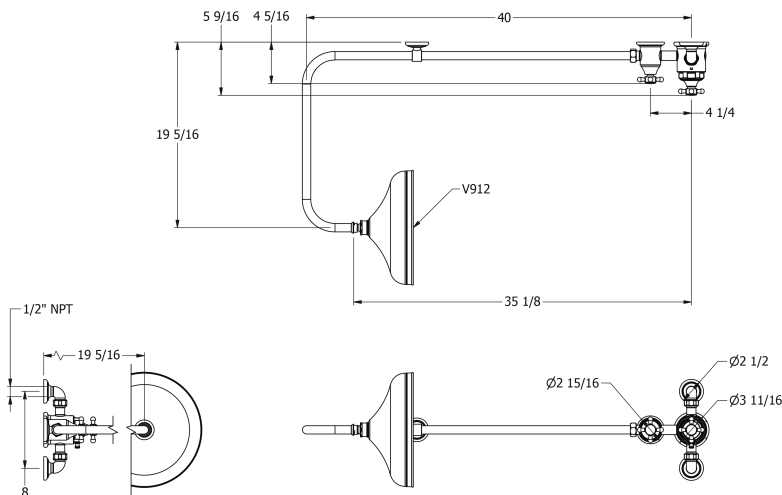


Antique Gold



Brushed Gold Unlacquered

Specification Drawing



Kit Components

V221-TX



V223

V240-A

V241-TX



V912

UK Customer Service

Leopold Street
Birmingham
B12 0UJ
Tel: +44 121 766 4200
Email: info@samuel-heath.com

US Customer Service

Federal I.D. No. 58-1504682
Email: usa@samuel-heath.com

Specification Enquiries

Design Centre Chelsea Harbour
1st Floor, North Dome, London
SW10 0XE
Tel: 020 7352 0249
Email: showroom@samuel-heath.com