

SAMUEL HEATH

Product Number: V2B1AXGC8

Description: 1/2" Concealed thermostatic shower - 2 volume controls



Finishes Available



Chrome Plate



Polished Nickel



Non Lacquered Brass

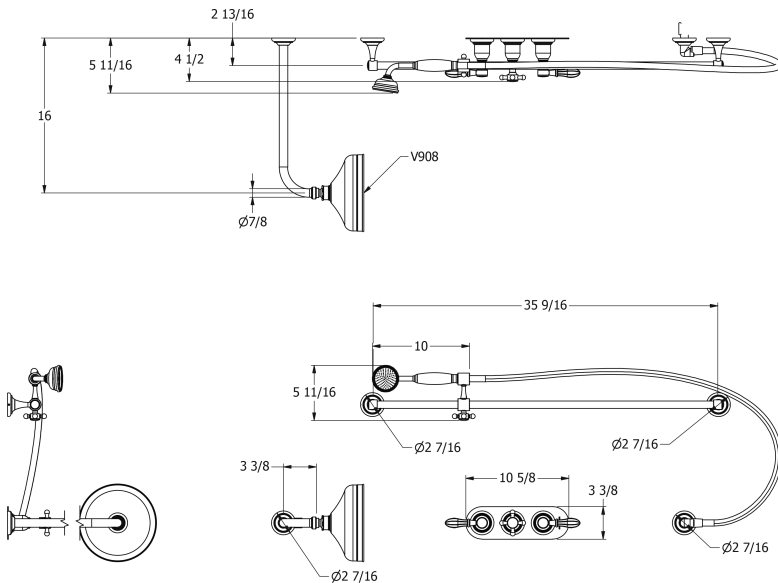


Antique Gold



Brushed Gold Unlacquered

Specification Drawing



Kit Components



V202-TGC



V255-M



V262-A



V264-A



V270



V908



V941

UK Customer Service

Leopold Street
Birmingham
B12 0UJ
Tel: +44 121 766 4200
Email: info@samuel-heath.com

US Customer Service

Federal I.D. No. 58-1504682
Email: usa@samuel-heath.com

Specification Enquiries

Design Centre Chelsea Harbour
1st Floor, North Dome, London
SW10 0XE
Tel: 020 7352 0249
Email: showroom@samuel-heath.com