

# SAMUEL HEATH

**Product Number:** V169-A

**Description:** 1/2" Ceiling tube for shower head



## Finishes Available



Chrome Plate

City Bronze

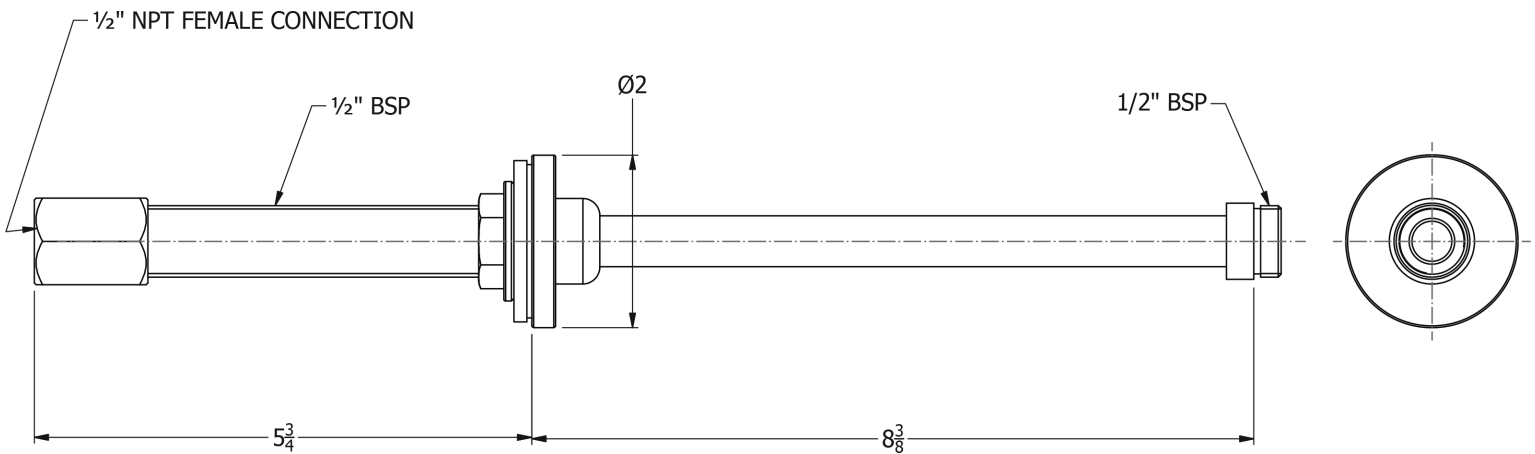
Matt Black Chrome

Brushed Gold Gloss

Brushed Gold Matt

Brushed Gold Unlacquered

## Specification Drawing



### UK Customer Service

Leopold Street  
Birmingham  
B12 0UJ  
Tel: +44 121 766 4200  
Email: info@samuel-heath.com

### US Customer Service

Federal I.D. No. 58-1504682  
Email: usa@samuel-heath.com

### Specification Enquiries

Design Centre Chelsea Harbour  
1st Floor, North Dome, London  
SW10 0XE  
Tel: 020 7352 0249  
Email: showroom@samuel-heath.com

1-05/09/2019