

# SAMUEL HEATH

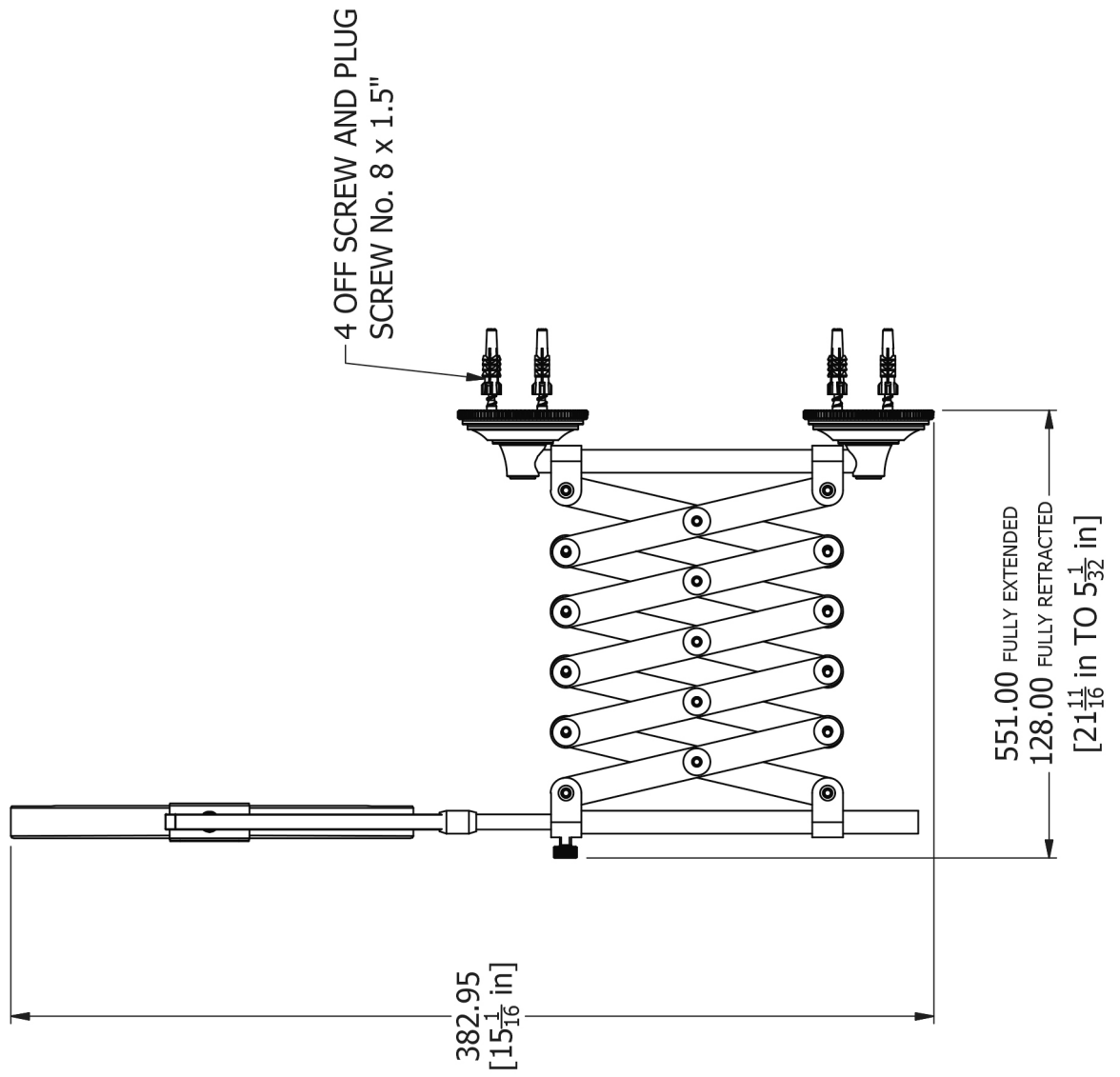
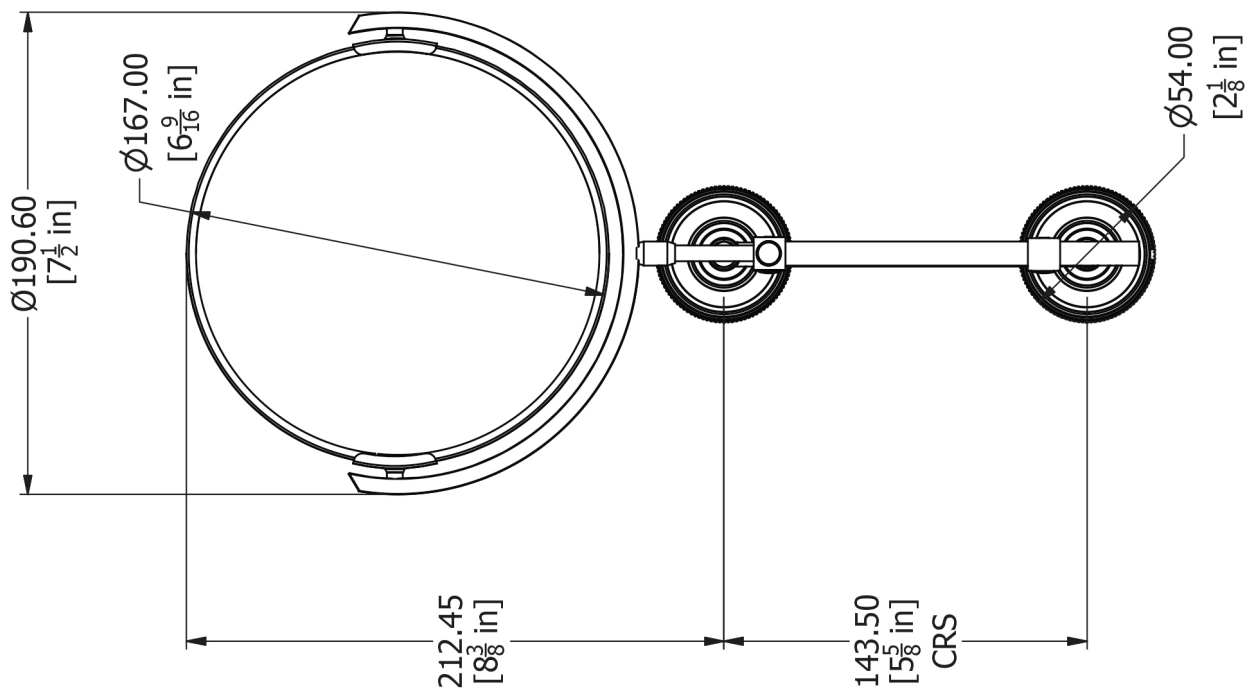
## Product Data Sheet

### L6708 Extending Mirror

---

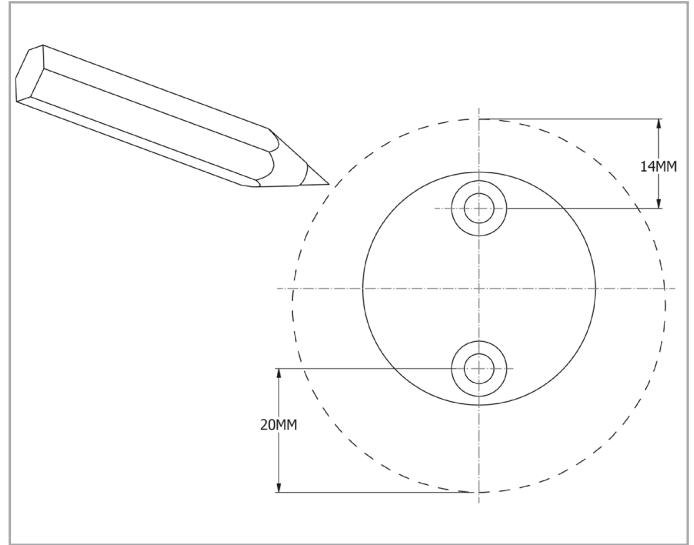
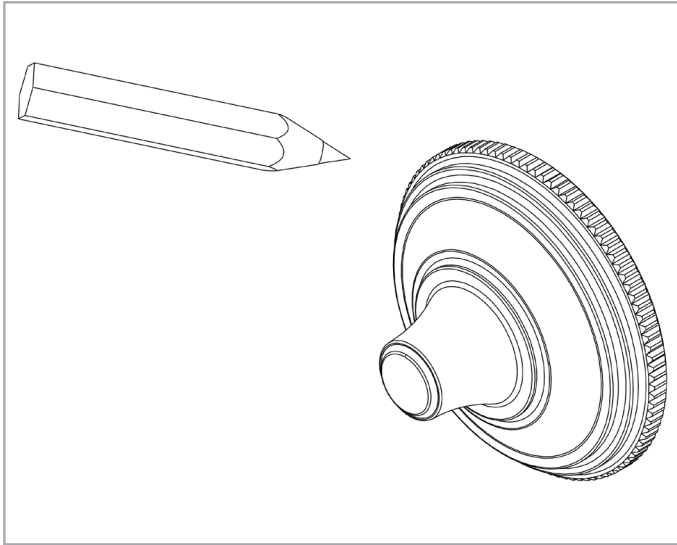


# Dimension Key

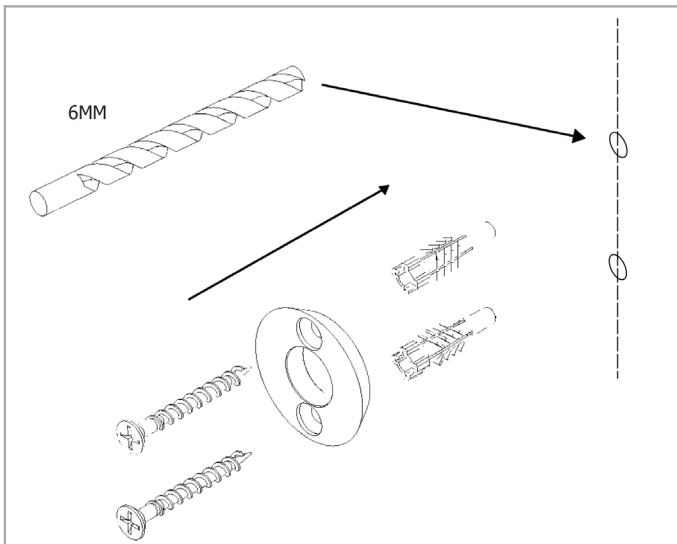


# Fitting Instructions

1.



2.



1. Mark rose centres to ensure correct distance between roses.

2. Position and fix wall plates to wall.

## **SAFETY NOTE**

Prior to drilling into walls: Check there are no hidden electrical wires, cables or water supply pipes with the aid of an electronic detector.

**Note:** Wall plugs supplied are only suitable for solid stone / brick walls. For plasterboard walls use specialist wall plugs. Seek advice from a specialist about the suitability of fixings to be used.

**SAMUEL HEATH**  
**Head Office and Customer Service**  
Leopold Street  
Birmingham  
England  
B12 0UJ

T: +44 (0)121 766 4200  
F: +44 (0)121 772 3334

[Info@samuel-heath.com](mailto:Info@samuel-heath.com)  
[www.samuel-heath.com](http://www.samuel-heath.com)

**US Customer Service**  
[usa@samuel-heath.com](mailto:usa@samuel-heath.com)  
Federal I.D. No. 58-1504682  
[www.samuel-heath.com/us](http://www.samuel-heath.com/us)