



STEAMIST®

ChromaSense Light Instructions

Model: TSCH

NOTE: This device will not work with the TSC-250 model control.

ChromaSense Option:

The ChromaSense Light features a white light for general lighting of the shower. The white light, neutral in color, is equivalent to approximately a 50 watt down light. The ChromaSense module may be connected to a non-powered light switch to operate the white light from outside the steam room.

The ChromaSense Light system is designed to work with the Steamist TSSH ShowerSense, SMP and TSG model steam generators, and with all Steamist Spa Controls. The white light will work independently with just a non-powered light switch. The multicolored ChromaSense capability, functions with any of the TSC spa controls.

Although a single light should be adequate for most steam showers, it is possible to gang multiple lights/modules together for additional lighting. To gang multiple lights you will need to connect the light modules via control cable connections. (Figure 3)

Once they are joined by the cable, open up the covers to the light boxes. Leave one set to Master and set the others to Slave. (Figure 4)

ChromaSense Installation:

1. Select a location in the ceiling for the ChromaSense light installation and make a 3-1/2" hole for the light in this location (Figure 2).
2. Select a location to mount the TSCH-MOD. The TSCH module requires a 120V outlet nearby to power the light and MUST be accessible for service.
3. Route the light cable (25' provided) from the TSCH-MOD to the hole for the light. Plug the cable into the TSCH-MOD. Plug the other end into the TSCH-LED light and mount the light into the ceiling, by folding the spring clips back while inserting it into the mounting hole.
4. (Optional) Connect the auxiliary light switch terminals on the TSCH-MOD to a non-powered light switch located outside the steam shower. This switch must NOT be connected to power and the switch must be in a separate box from any other light switches. For this connection, use any suitable low voltage wire 18-24 gauge (Customer supplied) (Figure 6).
5. Connect the control cable (provided) to the Steamist steam generator or ShowerSense system.
6. Connect the 12 Volt Class 2 Power Supply to the TSCH-MOD and plug into an outlet when the rest of the system has been installed.

WARNING: Do NOT use any other Power Supply than the included 12VDC Class 2 Power Supply provided by Steamist.

7. After everything is fully tested apply silicone (provided) around the TSCH-LED fixture to seal it.

Diagnostics Lights (Figure 4):

1. The Red power LED will be lit whenever the Power Supply is plugged into a live 120V wall outlet.
2. LED 2 blinks out the version# of the device at power-up only.
3. LED 3 will flash when it is communicating to the Steamist Spa Control.

Figure 1 TSCH-MOD & TSCH-LED

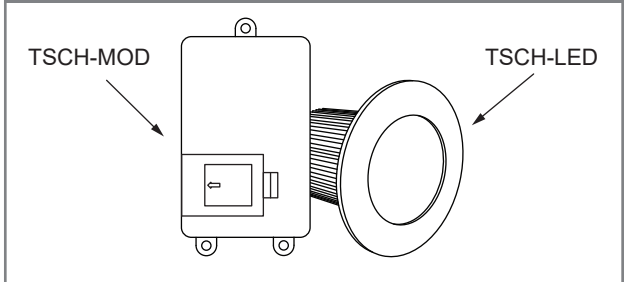


Figure 2 TSCH-LED

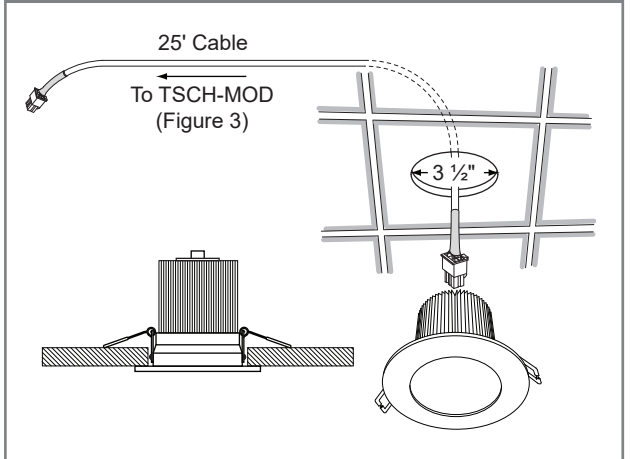


Figure 3 TSCH-MOD

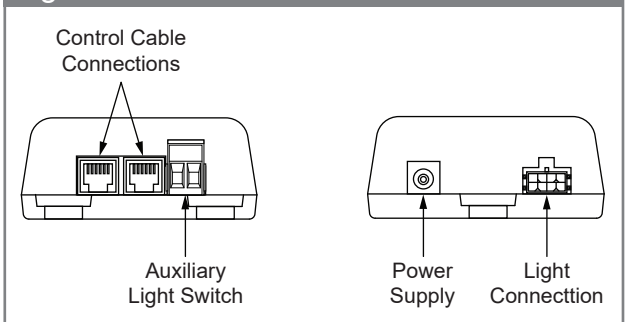


Figure 4 TSCH-MOD

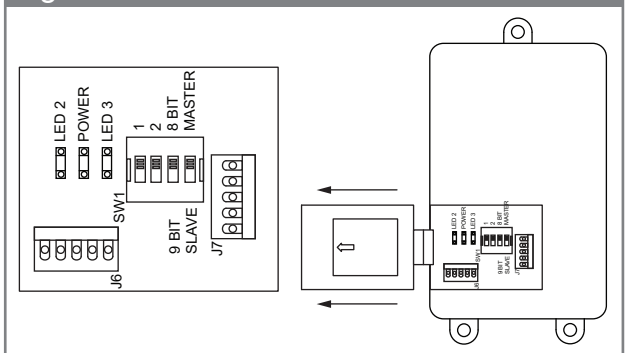


Figure 5 - Wiring Diagram

Models: TSCH

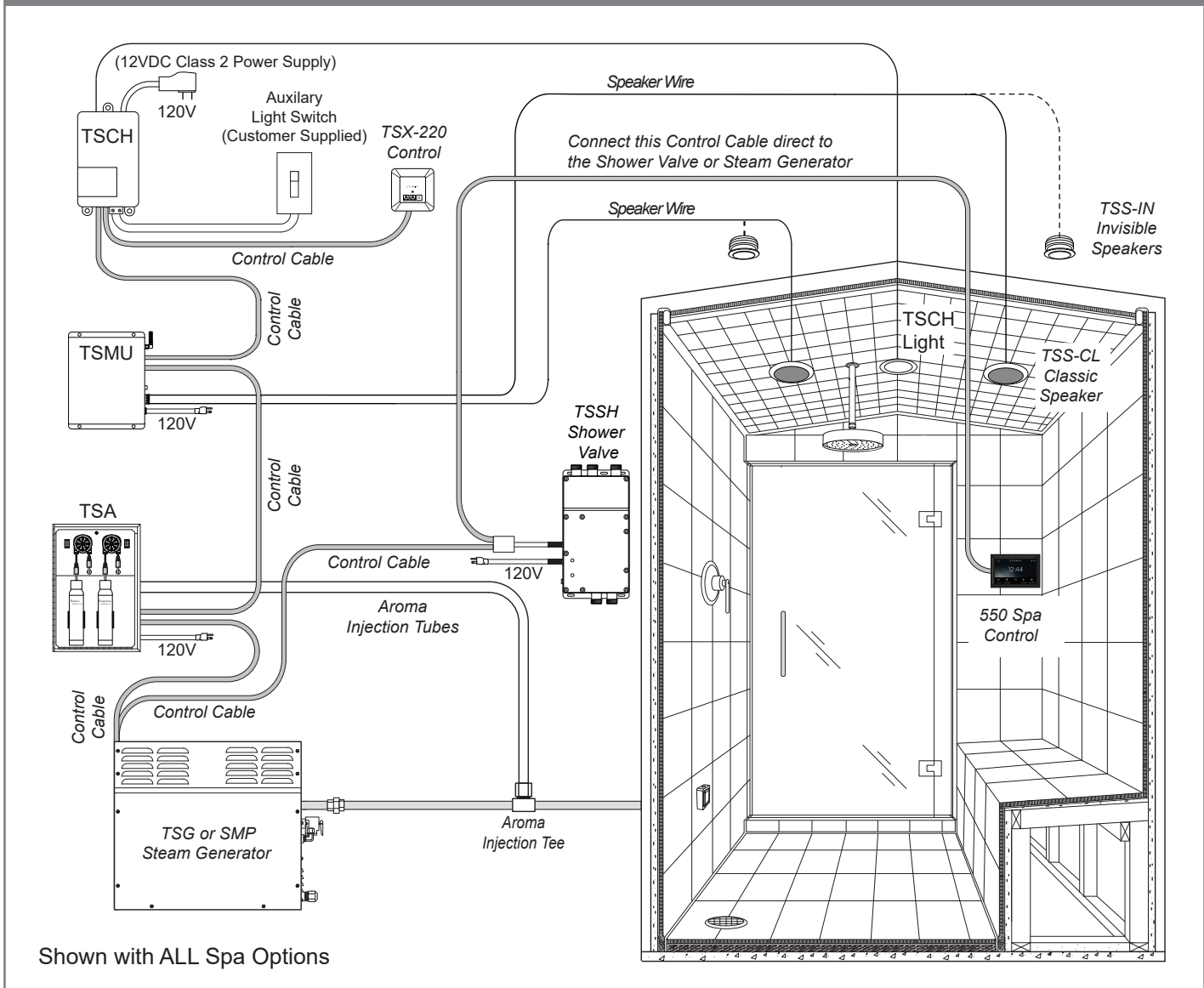


Figure 6 - Auxiliary Light Connection (Optional) TSCH-MOD

