

# STEAMIST®

## AudioSense "Invisible" Speakers

Model: TSS-IN

### Product Information – TSS-IN

2 year parts warranty

To be used in conjunction with the TSC Digital Control Module, AudioSense option. See separate Pub# 206.

Max Power: 50W each (x2)

Impedance: 6 ohm each (x2)

### Package Includes:

(2) 25ft lengths of speaker wire

### Installation Notes

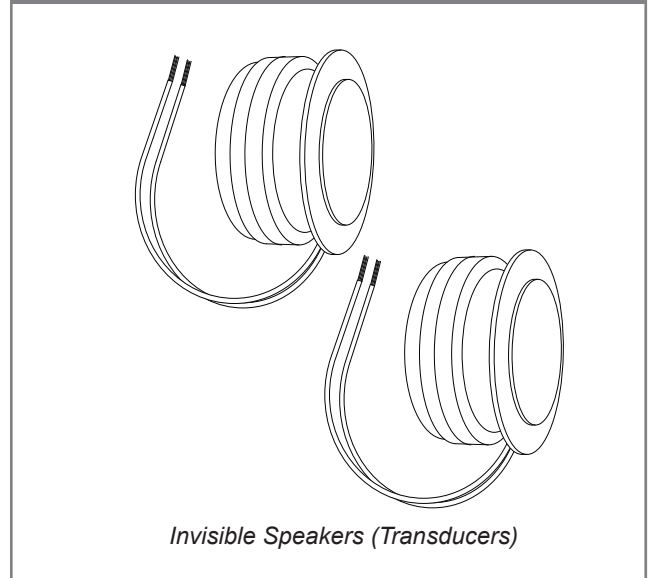
Each channel has one transducer.

Separate the right and left speakers to opposite ends of the room or ceiling.

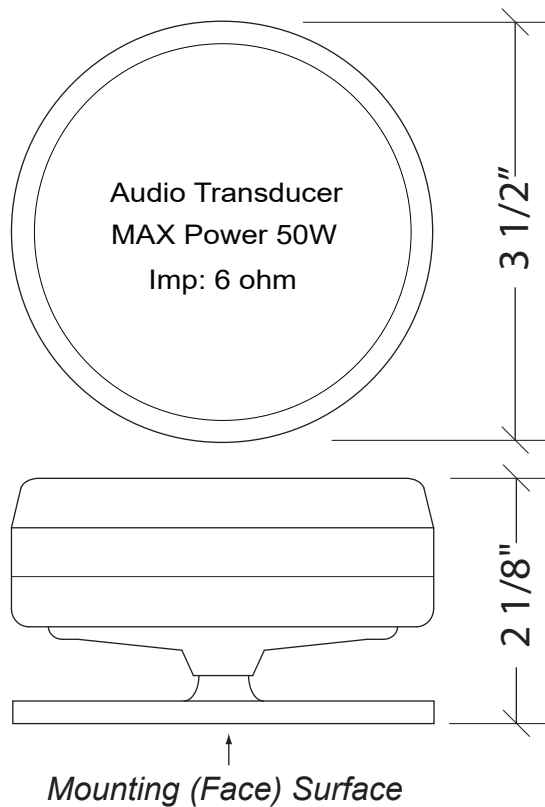
### Rough-in Notes

Remove the self adhesive liner and attach to the ceiling or to the wall.

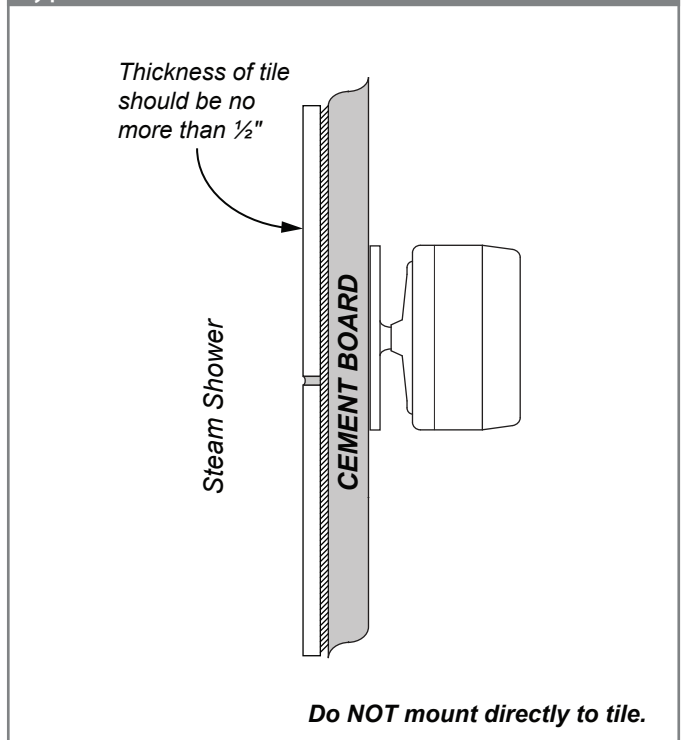
### TSS-IN Invisible Speakers



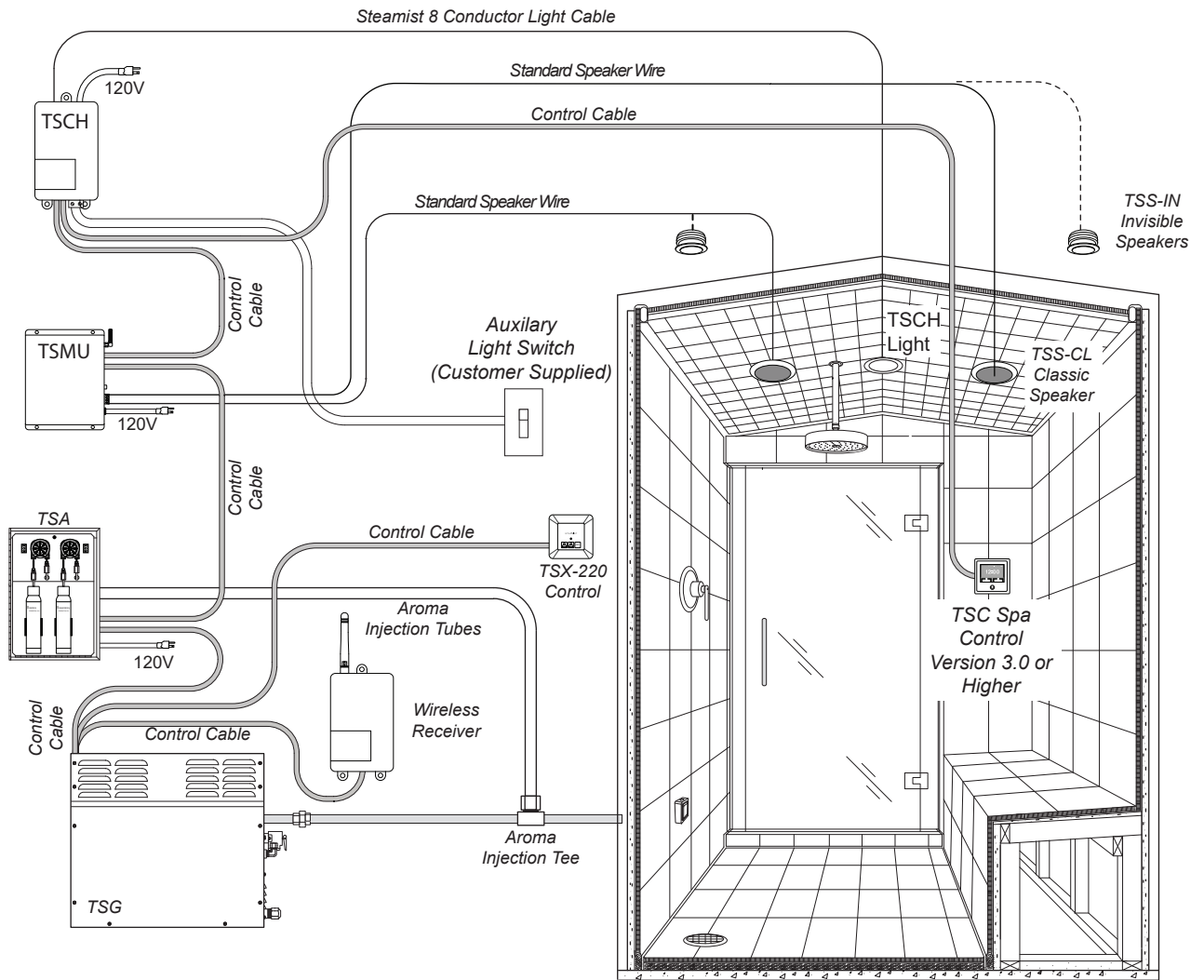
### Dimensions



### Typical Installation



Spa Options



Shown with other Spa Options