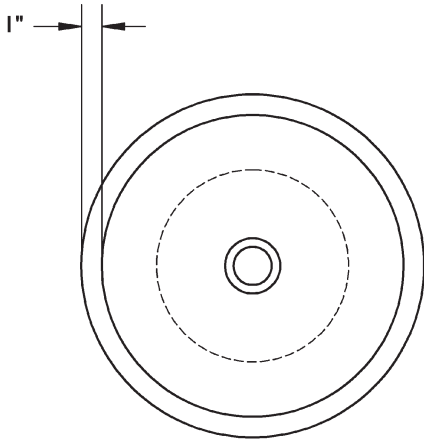


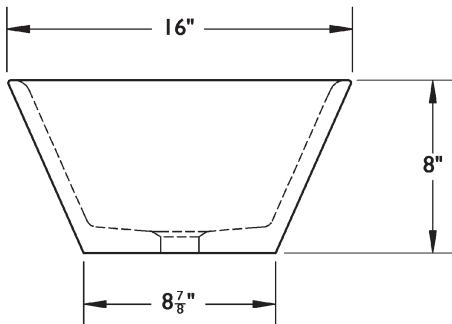


C120 SANDSTONE CONO VESSEL

©2012 STONE FOREST, INC.



TOP VIEW



FRONT VIEW

- Available in Sandstone (SN)
- All Polished.
- Approx thickness at drain is 1".
Required drain use 9054D Grid Drain.
Drains are 1.25" NPT.
This can be supplied by Stone Forest
at your request in select finishes.
- Do not use pop-up drains.
- Approx 45lbs.

STONE
FOREST