



**McAllister®**  
under-mount kitchen sink  
**T11447**

**Features**

- No faucet holes; requires wall- or counter-mount faucet.
- 8"-deep single bowl.
- 3-3/4" drain opening.
- Rectangular bowl.
- Includes reveal and no-reveal option.
- 20 per pack.
- Strainer not included.

**Material**

- Stainless steel with a luster finish.
- 20-gauge stainless steel.

**Technology**

- SilentShield® sound-absorption technology offers quieter performance.

**Installation**

- Under-mount.

**Recommended Products/Accessories**

7400 Sink Strainer

**Included Components**

Product consists of:

91915 Hardware Kit

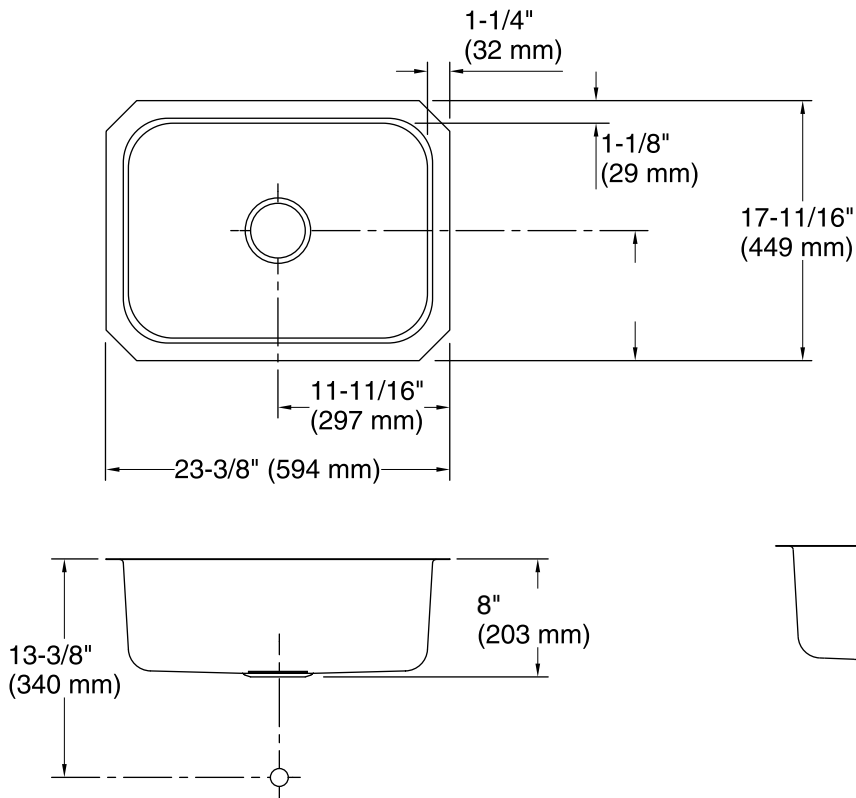


**Codes/Standards**

ASME A112.19.3/CSA B45.4

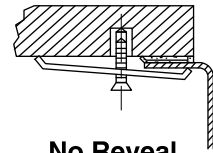
**STERLING® Warranty - Stainless Steel Sinks**

See website for detailed warranty information.

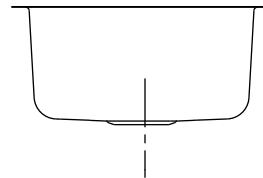
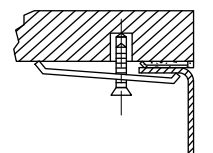


Mounting bracket assembly provides a secure installation.

**Reveal**



**No Reveal**



**Technical Information**

All product dimensions are nominal.

- Bowl configuration: Single
- Installation: Under-mount
- Min. base cabinet width: 27" (686 mm)
- Bowl area (Only): Length: 23-3/8" (594 mm)  
Width: 17-11/16" (449 mm)  
Bowl depth: 8" (203 mm)  
Water depth: 8" (203 mm)
- Drain hole: 3-3/4" (95 mm)
- Template: 1315840-7, required, included

**Notes**

- Install this product according to the installation instructions.
- Measure your actual product for roughing-in details.