



Southaven® Top-mount Kitchen Sink R11402-2PC

Features

- Three faucet holes.
- 8" (203 mm) depth.
- 3-5/8" (92 mm) drain opening.
- Satin finish.

Material

- Premium 20-gauge stainless steel.

Installation

- Top-mount.

Recommended Products/Accessories

11861 Sink Rack
K-6139 Sponge Caddy
K-23726 Drain treatment
K-23729 Stainless steel cleaner

Optional Products/Accessories

7400 Sink Strainer

Included Components

Product consists of:

7400 Sink Strainer
1213509-SD Pull-out Kitchen Sink Faucet with Soap
Dispenser



Codes/Standards

ASME A112.19.3/CSA B45.4

STERLING® Warranty - Stainless Steel Sinks

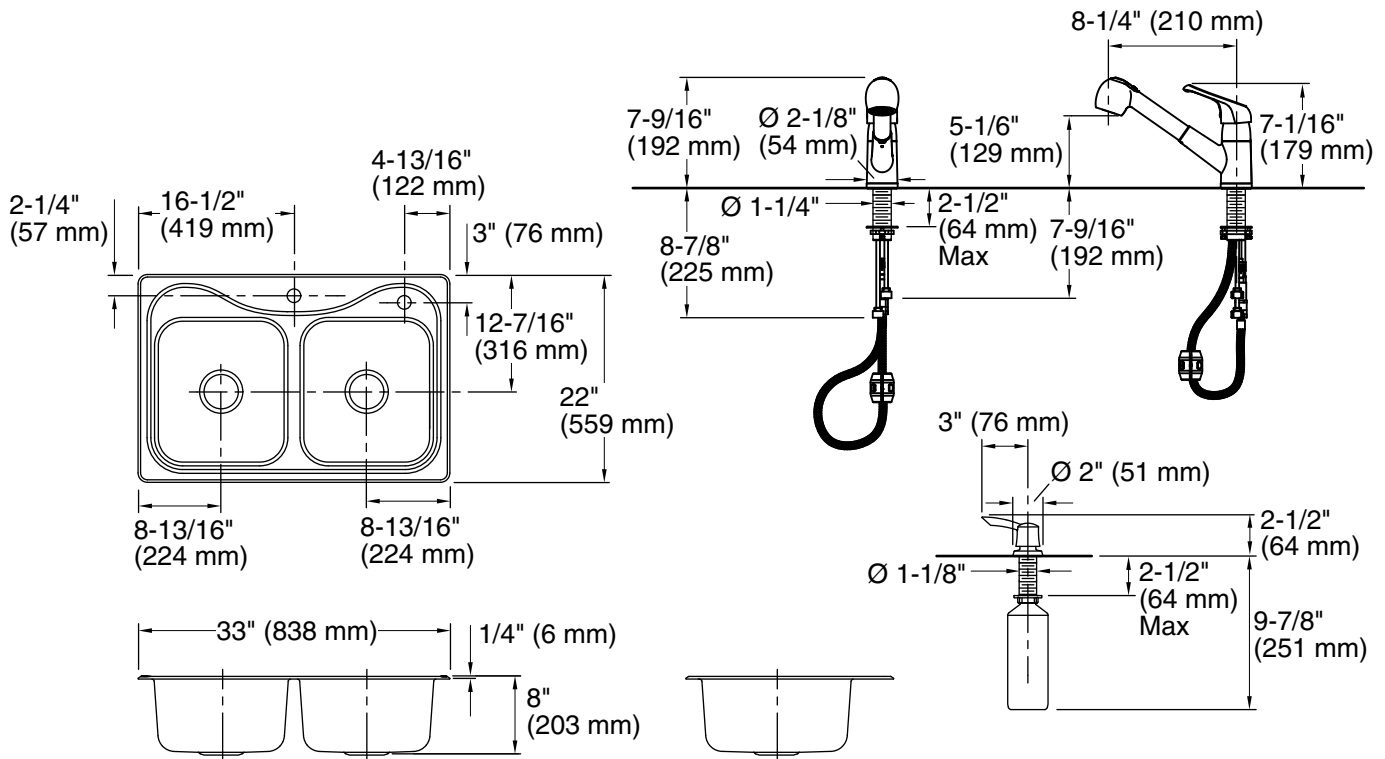
See website for detailed warranty information.

1-800-STERLING (1-800-783-7546)

Kohler Co. reserves the right to make revisions without notice to product specifications.

For the most current Specification Sheet, go to www.sterlingplumbing.com.

5-30-2021 00:21 - US/CA



Technical Information

All product dimensions are nominal.

- Bowl configuration: Double equal
- Installation: Top-mount
- Cutout: Top-mount, 32-1/2" x 21-1/2" (826 mm x 546 mm) with 1/2" (13 mm) radius corners
- Min. base cabinet width: 36" (914 mm)
- Bowl area (Left): Length: 14" (356 mm)
Width: 15-1/8" (384 mm)
Bowl depth: 8" (203 mm)
Water depth: 8" (203 mm)
- Bowl area (Right): Length: 14" (356 mm)
Width: 15-1/8" (384 mm)
Bowl depth: 8" (203 mm)
Water depth: 8" (203 mm)
- Number of deck holes: 2
- Faucet hole(s): 1-7/16" (37 mm)
- Drain hole: 3-5/8" (92 mm)
- Template: 1032929-7, not required, not included

Notes

- Install this product according to the installation instructions.
- Flexible supplies are required to complete the installation.
- Measure your actual product for roughing-in details.