



Lawson®
72" x 36" drop-in bath
71301100



Features

- 20" bath depth.
- Reversible drain can be installed as left- or right-hand drain.

Material

- Compression molded from our exclusive solid Vikrell® material.
- Durable high-gloss finish.

Installation

- Drop-in.

Recommended Products/Accessories

1500D-36 Framed pivot shower door
1505D-36 Framed pivot shower door
1507D-36 Framed pivot shower door
1530D-36 Framed pivot shower door
1535D-36 Framed pivot shower door
80001012 12" straight grab bar
80001018 18" straight grab bar
80001024 24" straight grab bar
K-23726 Drain treatment
K-23733 Vikrell® cleaner



Codes/Standards



CSA B45.5/IAPMO Z124
ASTM E162
ASTM E662
HUD, UM Bulletin 73

Warranty – Bathing Fixtures (and) Kitchen and Utility Sinks Made of Solid Vikrell® Material

See website for detailed warranty information.

Available Colors/Finishes

Color tiles intended for reference only.

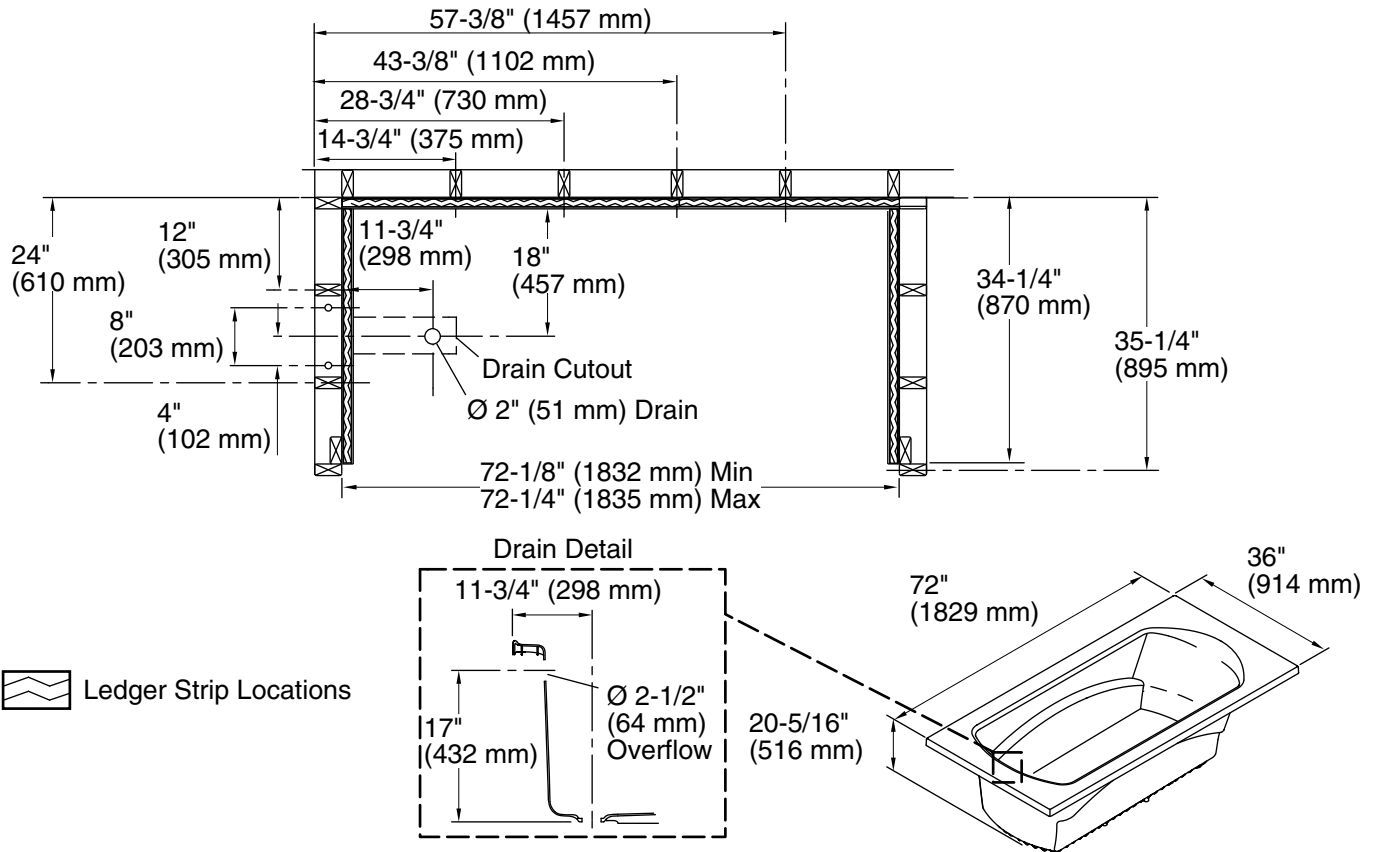
Color	Code	Description
	0	White
	96	KOHLER Biscuit

1-800-STERLING (1-800-783-7546)

Kohler Co. reserves the right to make revisions without notice to product specifications.

For the most current Specification Sheet, go to www.sterlingplumbing.com.

5-29-2021 21:24 - US/CA



Technical Information

All product dimensions are nominal.

Installation:	Drop-in
Drain location:	End
Basin area, bottom:	50-3/8" x 21-3/4" (1280 mm x 552 mm)
Basin area, top:	58-1/4" x 27" (1480 mm x 686 mm)
Weight:	23 lbs (10.4 kg)
Water depth:	15-1/4" (387 mm)
Water capacity:	68 gal (257.4 L)
Minimum flat for door:	3" (76 mm)

Notes

Install this product according to the installation instructions.