



Ensemble™

60" x 36" bath w/ left-hand drain
71101110



Features

- 16" apron.
- Suitable for tile-down applications.
- Compatible with Ensemble wall set (71104100)

Material

- Made from solid Vikrell® material for strength, durability, and lasting beauty.

Installation

- Alcove.
- Left drain.

Recommended Products/Accessories

- K-23726 Drain treatment
- K-23733 Vikrell® cleaner



ADA

Codes/Standards



CSA B45.5/IAPMO Z124
ASTM E162
ASTM E662
ADA
ICC/ANSI A117.1

Warranty – Bathing Fixtures (and) Kitchen and Utility Sinks Made of Solid Vikrell® Material

See website for detailed warranty information.

Available Colors/Finishes

Color tiles intended for reference only.

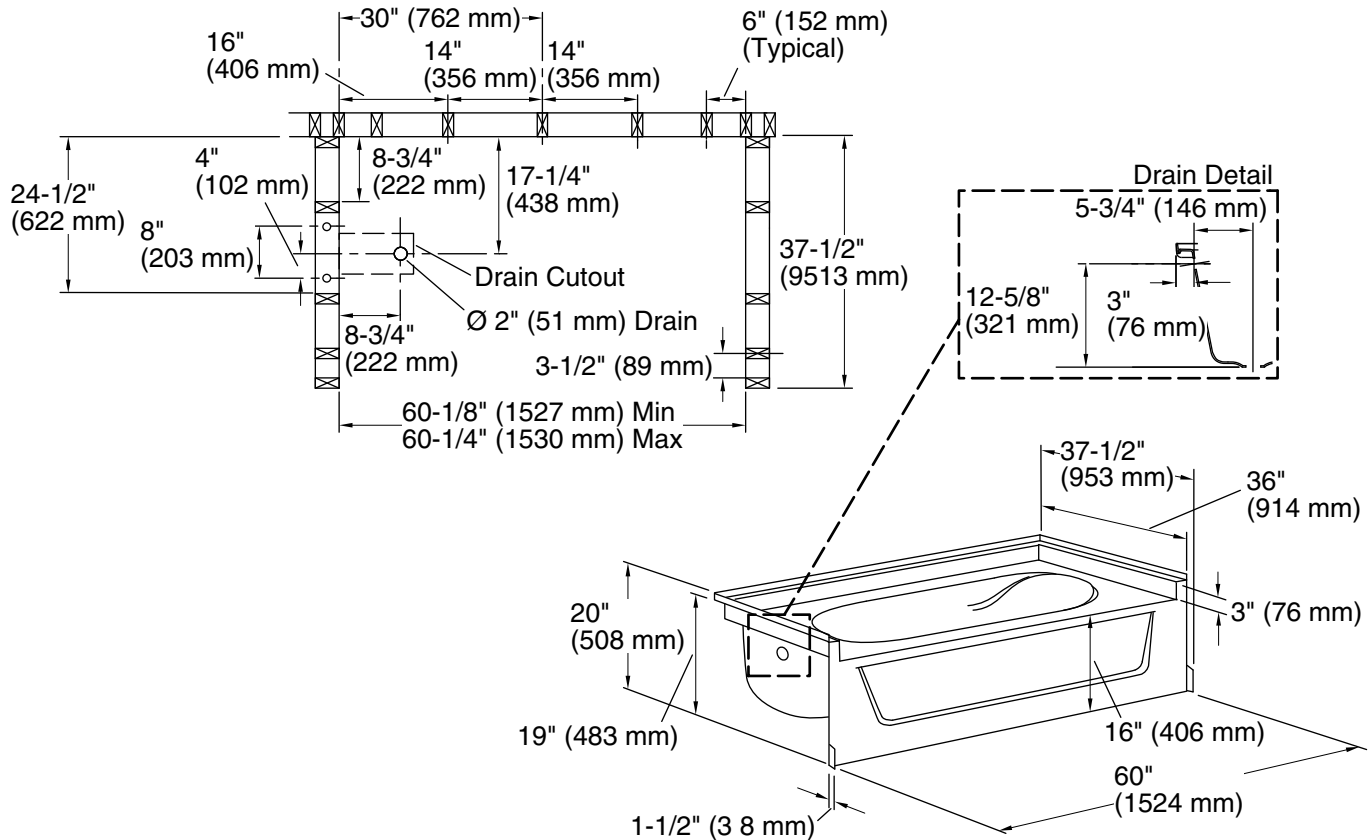
| Color | Code | Description |
|---|------|----------------|
|  | 0 | White |
|  | 96 | KOHLER Biscuit |

1-800-STERLING (1-800-783-7546)

Kohler Co. reserves the right to make revisions without notice to product specifications.

For the most current Specification Sheet, go to www.sterlingplumbing.com.

5-29-2021 21:10 - US/CA



Technical Information

All product dimensions are nominal.

| | |
|------------------------|------------------------------|
| Installation: | Three-wall alcove |
| Drain location: | Left |
| Basin area, bottom: | 40" x 21" (1016 mm x 533 mm) |
| Basin area, top: | 52" x 29" (1321 mm x 737 mm) |
| Water depth: | 11" (279 mm) |
| Water capacity: | 40 gal (151.4 L) |
| Minimum flat for door: | 3-1/4" (83 mm) |
| Maximum door width: | 58-1/2" (1486 mm) |

Notes

Install this product according to the installation instructions.

Size the drain hole clearance to fit the drain assembly that will be used.

Studs should be positioned roughly as shown for support clip or roofing nail installation.

Double studding is recommended for pivot shower door installations.

ADA compliant when installed to the specific requirements of these regulations.