

STERLING®

A KOHLER COMPANY

ALL PRO®

Features

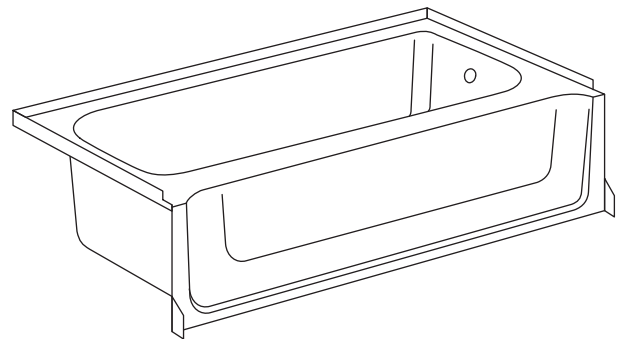
- Compression molded from our exclusive solid Vikrell® material
- Backrest molded into bath
- Durable swirl-gloss finish
- 10-year consumer/3-year commercial limited warranty
- 15" (381 mm) bath depth (floor to top of threshold)
- 60-1/4" (1530 mm) x 30-1/2" (775 mm) x 15-1/2" (394 mm) rough-in dimensions include nailing flange
- 60" (1524 mm) x 30" (762 mm) x 15" (381 mm) finished dimensions

Codes/Standards Applicable

Specified model meets or exceeds the following:

- CSA B45.5/IAPMO Z124
- ASTM E162
- ASTM E662
- HUD, UM Bulletin 73A
- NAHB Research Foundation, Inc.

60" BATH
61041110
 ALSO 61041120, 61041510, 61041520



Colors/Finishes

- 0: White
- Other: Refer to Price Book for additional colors/finishes

Specified Model

Model	Description	Colors/Finishes	
61041110	60" bath, left drain	<input type="checkbox"/> 0	<input type="checkbox"/> Other_____
61041120	60" bath, right drain	<input type="checkbox"/> 0	<input type="checkbox"/> Other_____
61041510	60" bath, 5 pack, left drain	<input type="checkbox"/> 0	<input type="checkbox"/> Other_____
61041520	60" bath, 5 pack, right drain	<input type="checkbox"/> 0	<input type="checkbox"/> Other_____

ALL PRO®

Technical Information

Fixture*:	
Weight (Single unit)	56 lbs (25.4 kg)
To overflow:	
Water depth	9-3/8" (238 mm)
Capacity	44 gal (166.6 L)
* Approximate measurements for comparison only.	

Model	Door maximum width	Door maximum height
61041110	*57-1/2" (1461 mm)	*NA
61041120		
61041510		
61041520		
* Varies with alternative walls.		

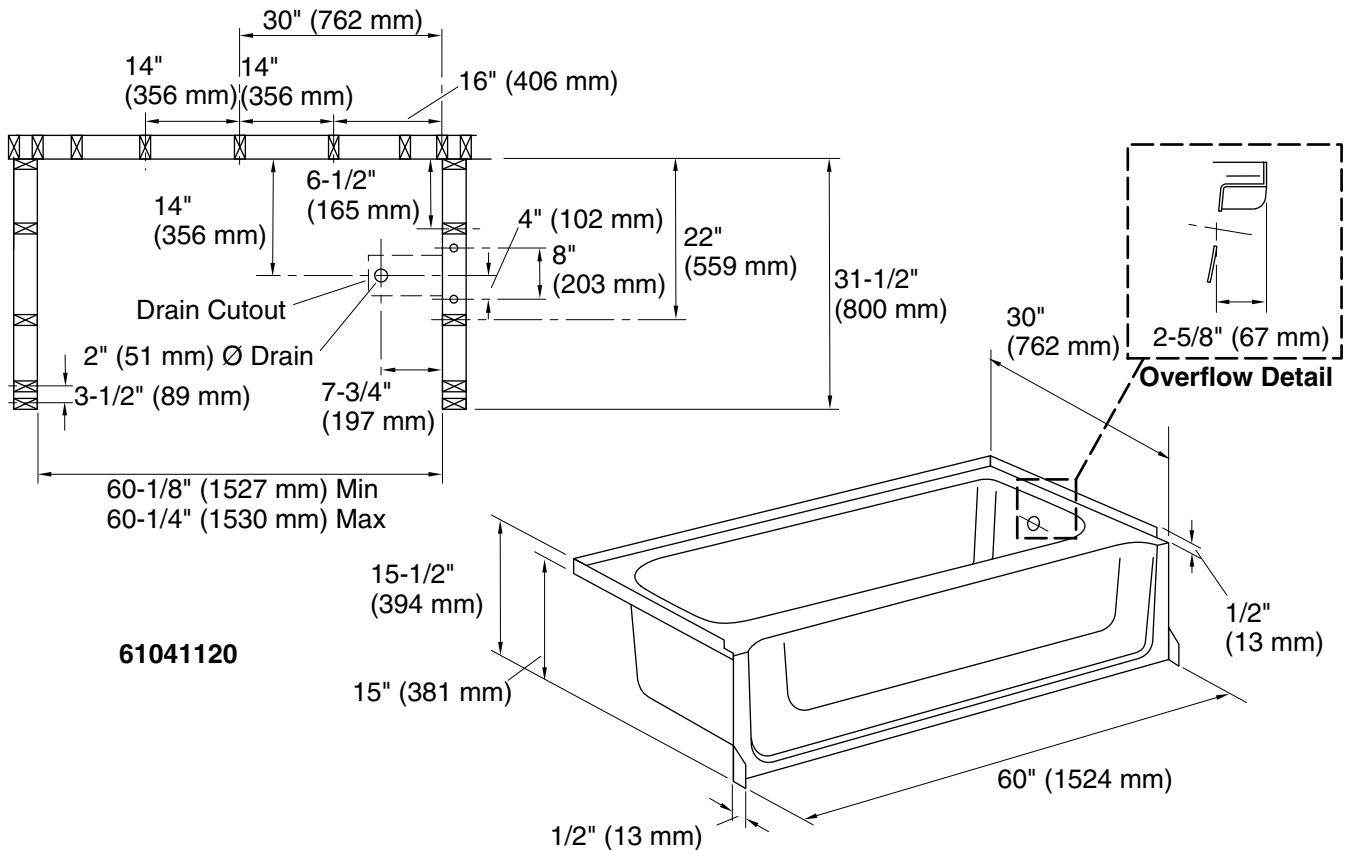
Installation Notes

Install this product according to the installation guide.

Size the drain cutout to fit the drain assembly that will be used.

Double studding is recommended for pivot shower door installations.

Studs should be positioned roughly as shown.



Product Diagram